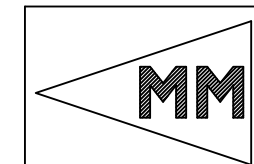
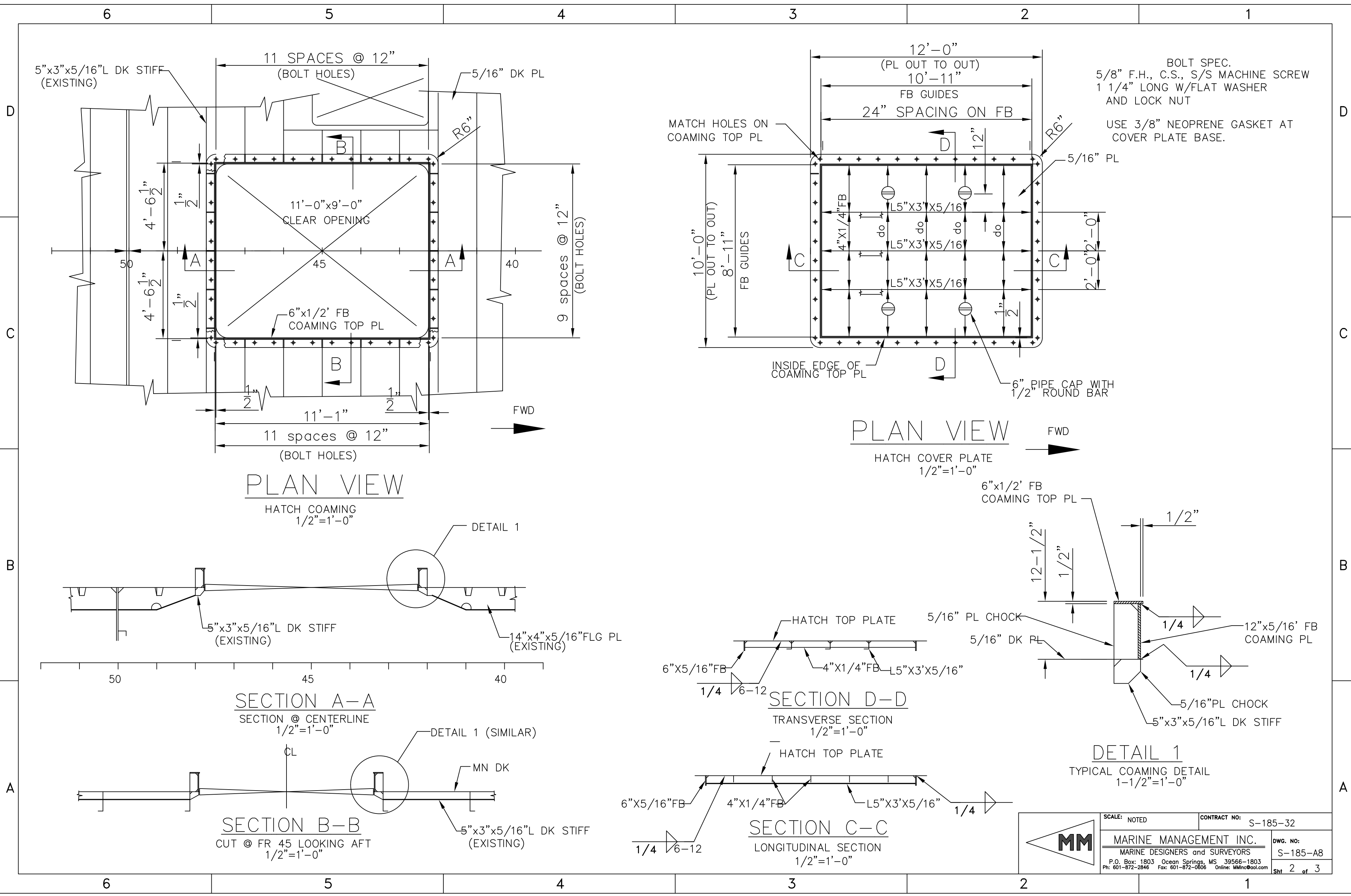


SUMMARY OF OPENINGS					
ITEM NO.	QTY	DESCRIPTION	SWING	REMARKS	S.F.P. RATING
1	1	DOOR, 30"x54" QAWT, 6 DOG, HAND WHEEL OPERATED, NEOPRENE GASKET, W/24" SILL W/10" RD FIXED LIGHT	LH	CENTEX #104 OR EQ	
2	2	DOOR, 30"x54" QAWT, 6 DOG, HAND WHEEL OPERATED, NEOPRENE GASKET, W/18" SILL W/10" RD FIXED LIGHT	LH	CENTEX #104 OR EQ	
3	1	DOOR, 30"x54" WEAT, 2 DOG, NEOPRENE GASKET W/8" SILL	RH	CENTEX #100 OR EQ	
4	1	DOOR, 30"x66", FUMETIGHT, GASKETED & INSULATED W/6" SILL	RH	EACCO, INC OR EQ METAIRIE, LA	
5	1	DOOR, 30"x54" QAWT, 6 DOG, HAND WHEEL OPERATED, NEOPRENE GASKET, W/8" SILL	LH	CENTEX #104 OR EQ	
6	1	DOOR, 30"x54" STL WEAT, 4 DOG, NEOPRENE GASKET, W/18" SILL	LH	SIM KEARFOTT TYPE KS-20030 OR EQ	
7	1	DOOR, 24"x66", STL WEAT, 4 DOG, 6" SILL, W/WINDOW 12"x24" FIXED GLASS IN BRZ FRAME, W/41" SILL ABV DECK, GASKETED & INSULATED	RH	SIM KEARFOTT TYPE KS-20030 OR EQ	
8	1	DOOR, 24"x66", STL WEAT, 4 DOG, 6" SILL, W/WINDOW 12"x24" FIXED GLASS IN BRZ FRAME, W/41" SILL ABV DECK, GASKETED & INSULATED	LH	SIM KEARFOTT TYPE KS-20030 OR EQ	
9	1	DOOR, 24"x66", ALUM, WEAT, 4 DOG, 12" SILL, W/WINDOW 12"x24" FIXED GLASS IN BRZ FRAME, W/41" SILL ABV DECK, GASKETED & INSULATED	LH	SIM KEARFOTT TYPE KS-20030 OR EQ	
10	4	DOOR, 24"x70", JOINER, W/5" SILL	RH	MARLITE	
11	5	DOOR, 24"x70", JOINER, W/5" SILL	LH	MARLITE	
12	1	DOOR, 24"x70", JOINER, W/NO SILL	LHR	MARLITE	
13	2	DOOR, 24"x70", JOINER, W/NO SILL	RHR	MARLITE	
13A	1	DOUBLE SWINGING DOORS (BAR STYLE)	-	YARD TO FAB TO SUIT	
14	1	HATCH, 36"x36", RAISED, WT, W/23 1/2" MIN COAMING		CENTEX #201 OR EQ	
15	1	HATCH, 24"x24", FLUSH, QAWT, W/T-WRENCH		CENTEX #205 OR EQ	
16	1	BERP, 48"x60" CLEAR OPENING		YARD FABRICATION REF S-11	
17	2	TONNAGE OPENING, 4'x5', W/15" SILL CUTOUT FOR ITEM #2		YARD FABRICATION, REF S-11	
18	5	TONNAGE OPENING, 48"x74", W/4" SILL CUTOUT FOR ITEM #10 & #11		YARD FABRICATION, REF S-11 & S-12	
19	1	TONNAGE OPENING, 4'x5', W/6" SILL CUTOUT FOR ITEM #11		YARD FABRICATION, REF S-11	
20	1	TONNAGE OPENING, 4'x5', W/15" SILL CUTOUT FOR ITEM #6		YARD FABRICATION, REF S-12	
21	1	TONNAGE OPENING, 4'x5', W/6" SILL CUTOUT FOR ITEM #5		YARD FABRICATION, REF S-11	
22	5	PORTLIGHT, 16" DIA, STEEL, WELD-IN, W/DEADLIGHT COVER W/INSECT SCR W/ 3/8" THK GLASS		CENTEX OR EQ	
23	2	WINDOW, VERTICAL SLIDING, 26"x31 11/16" STL CUT, BRZ FRAME		KEARFOTT TYPE K-322-C OR EQ (NOT STOCK SIZE)	
24	2	WINDOW, FIXED, CUSTOM FIT, BRZ FRAME SEE DET 5-B FOR STL CUT		KEARFOTT TYPE K-325-F OR EQ (SIM STYLE-D)	
25	5	WINDOW, FIXED, 26"x32 9/16" STL CUT, BRZ FRAME		KEARFOTT TYPE K-325-F OR EQ (NOT STOCK SIZE)	
25A	2	WINDOW, FIXED, CUSTOM FIT, BRZ FRAME, (SEE DET 5-C FOR STL CUT)		KEARFOTT TYPE K-325-F OR EQ (NOT STOCK SIZE)	
25B	4	WINDOW, FIXED, 26"x31 11/16" STL CUT, BRZ FRAME		KEARFOTT TYPE K-325-F OR EQ	
26	2	WINDOW, FIXED IN RUBBER CHANNEL, (SEE DET 5-D FOR STL CUT)		GN #4	
27	2	WINDOW, FIXED, 26"x31 11/16" STL CUT W/4" CORNER RAD, FIXED IN RUBBER CHANNEL		GN #4	
28	1	WINDOW, FIXED, BRZ FR, 31 11/16" X 33 1/8" STL CUT		KEARFOTT TYPE K-325-F OR EQ (NOT STOCK SIZE)	
28A	2	WINDOW, FIXED, BRZ FR, 12 1/2" X 33 1/8" STL CUT		KEARFOTT TYPE K-325-F OR EQ (NOT STOCK SIZE)	
29	2	WINDOW, FIXED, CUSTOM FIT, BRZ FRAME (SEE DET 6-C FOR STL CUT)		KEARFOTT TYPE K-325-F OR EQ (NOT STOCK SIZE)	
30	1	WINDOW, VERTICAL SLIDING, 26"x31 11/16" STL CUT, BRZ FRAME		KEARFOTT TYPE K-322-C OR EQ	
31	2	WINDOW, FIXED, 30"x31 11/16" STL CUT, BRZ FRAME		KEARFOTT TYPE K-325-F OR EQ (NOT STOCK SIZE)	
31A	2	WINDOW, VERTICAL SLIDING, 30"x31 11/16" STL CUT, BRZ FRAME		KEARFOTT TYPE K-322-C OR EQ (NOT STOCK SIZE)	
32	2	WINDOW, FIXED, CUSTOM FIT, BRZ FRAME (SEE DET 6-D FOR STL CUT)		KEARFOTT TYPE K-325-F OR EQ (NOT STOCK SIZE)	
33	1	WINDOW, FIXED, 30"x31 11/16" STL CUT, BRZ FRAME		KEARFOTT TYPE K-325-F (NOT STOCK SIZE)	

1	1) GENERAL REVISION TO INCLUDE OWNERS COMMENTS.	RLP 5/21/98
ALTERATIONS		
NO.	160'-0" x 40'-0" x 13'-0" RESEARCH VESSEL	BY/DATE
SCHEDULE OF OPENINGS		
PREPARED FOR: CAMERON OFFSHORE BOATS, INC. CAMERON, LOUISIANA		
MARINE MANAGEMENT INC. SH: 1 OF: 3		
P.O. Box: 1803 Ocean Springs, MS 39566-1803		
Fax: 601-872-0606 Online: MMinc25@aol.com		
ALT NO: 0		

DRAWN BY: ROBERT PAYNE DATE: 7-30-97
 CHECKED BY: DATE:
 APPROVED BY: DATE:
 SCALE: 3/16"=1'-0" CONTRACT NO: S-185-32
 This drawing and its contents, specifications and design concept are proprietary information and may not be wholly or partially reproduced, transferred or used for manufacture without written consent from MARINE MANAGEMENT INCORPORATED OR ROBERT L. PAYNE. Copyright 1997
 DWG. NO: S-185-A8





BOLT SPEC.
 5/8" F.H., C.S., S/S MACHINE SCREW
 1 1/4" LONG W/FLAT WASHER
 AND LOCK NUT
 USE 3/8" NEOPRENE GASKET AT
 COVER PLATE BASE.

PLAN VIEW

PLAN VIEW

SECTION A-A

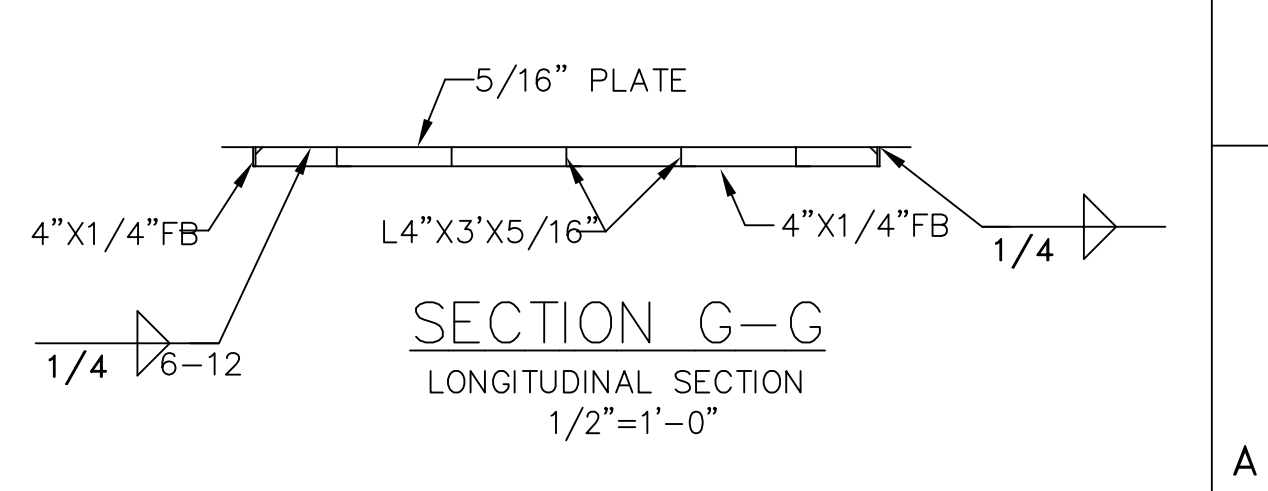
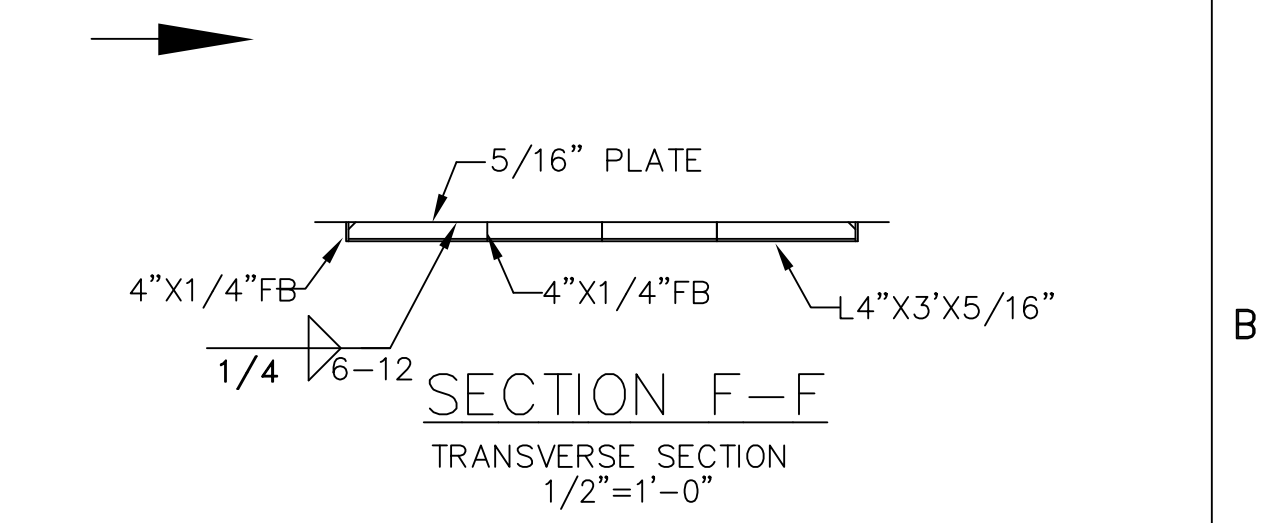
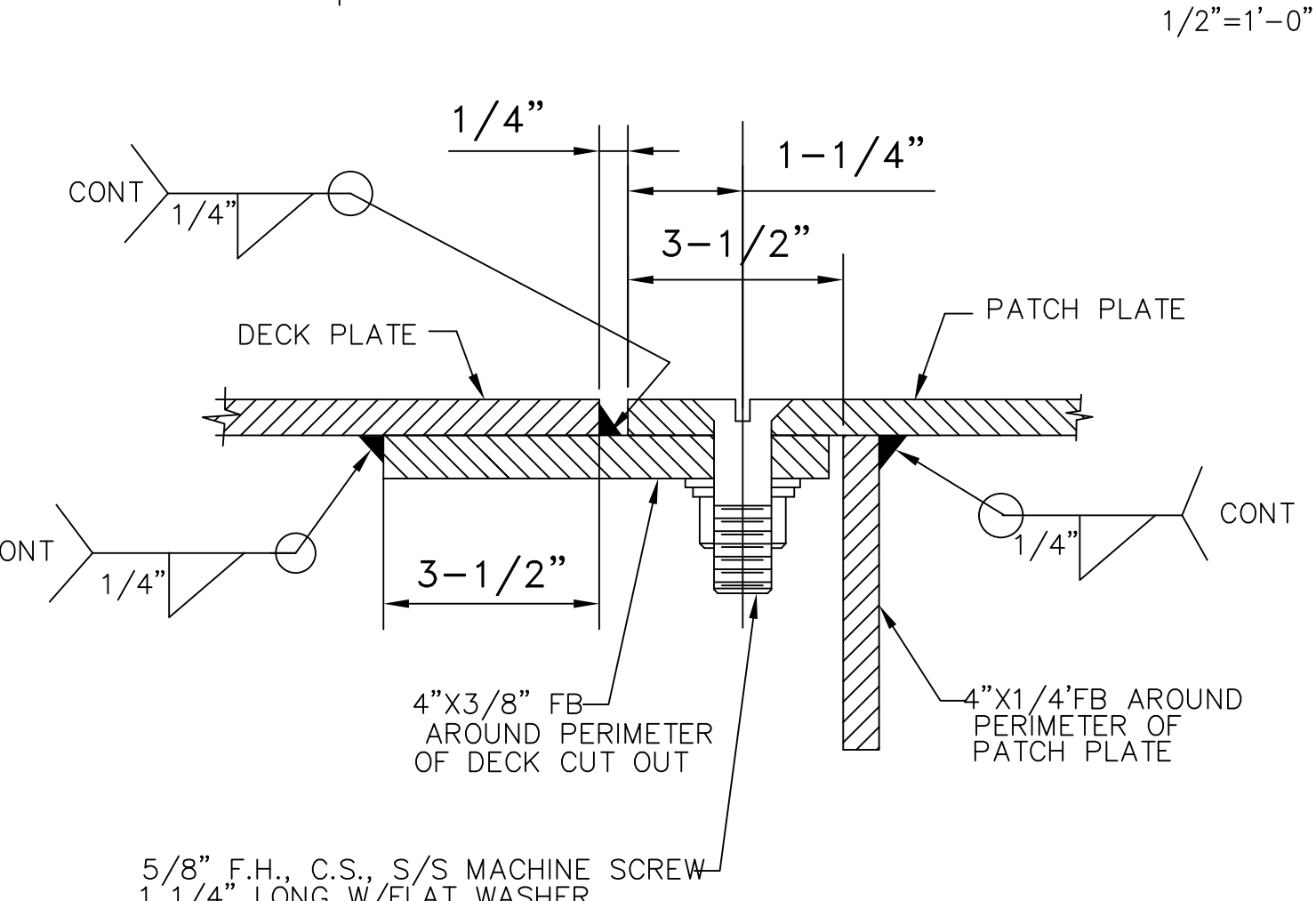
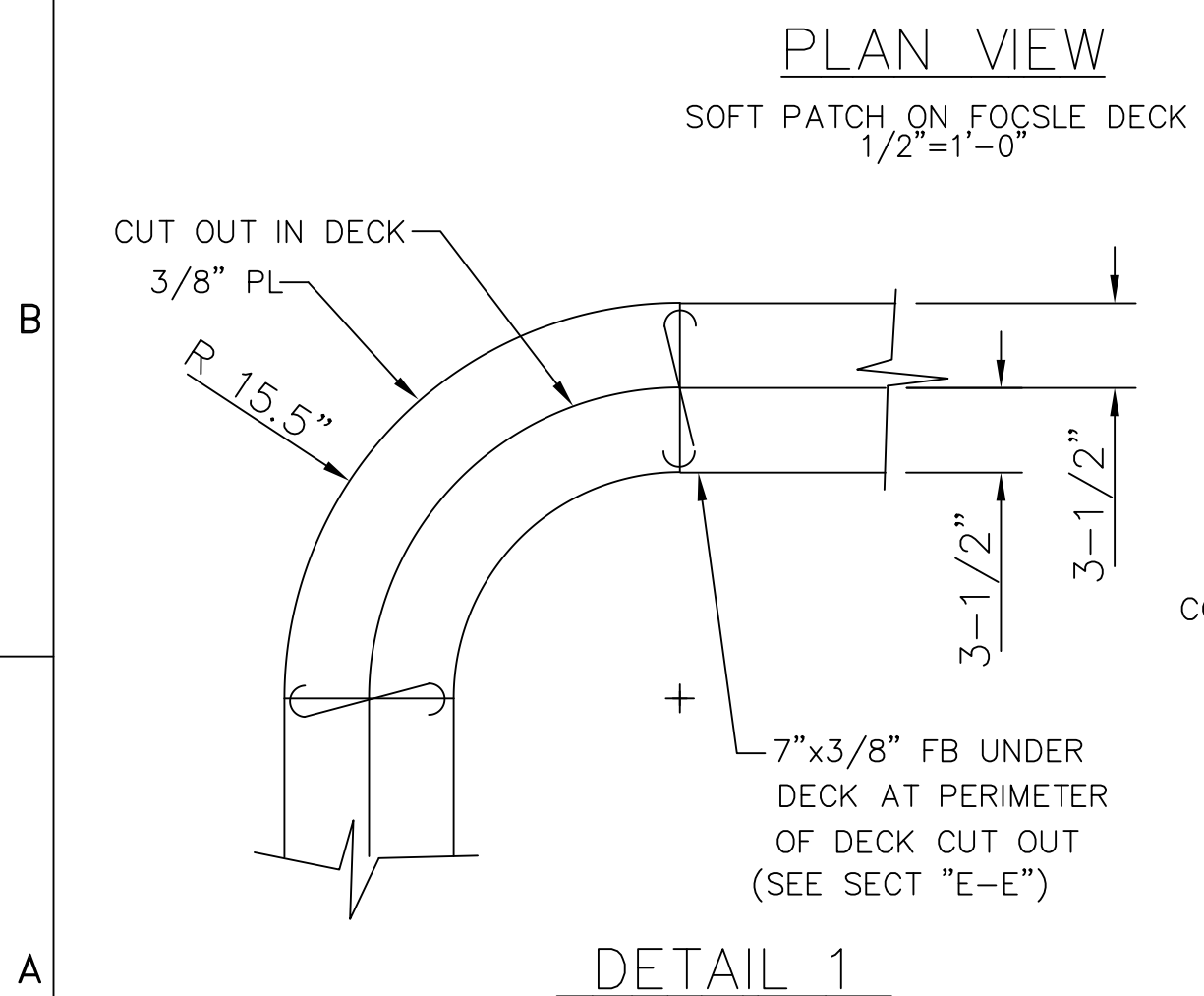
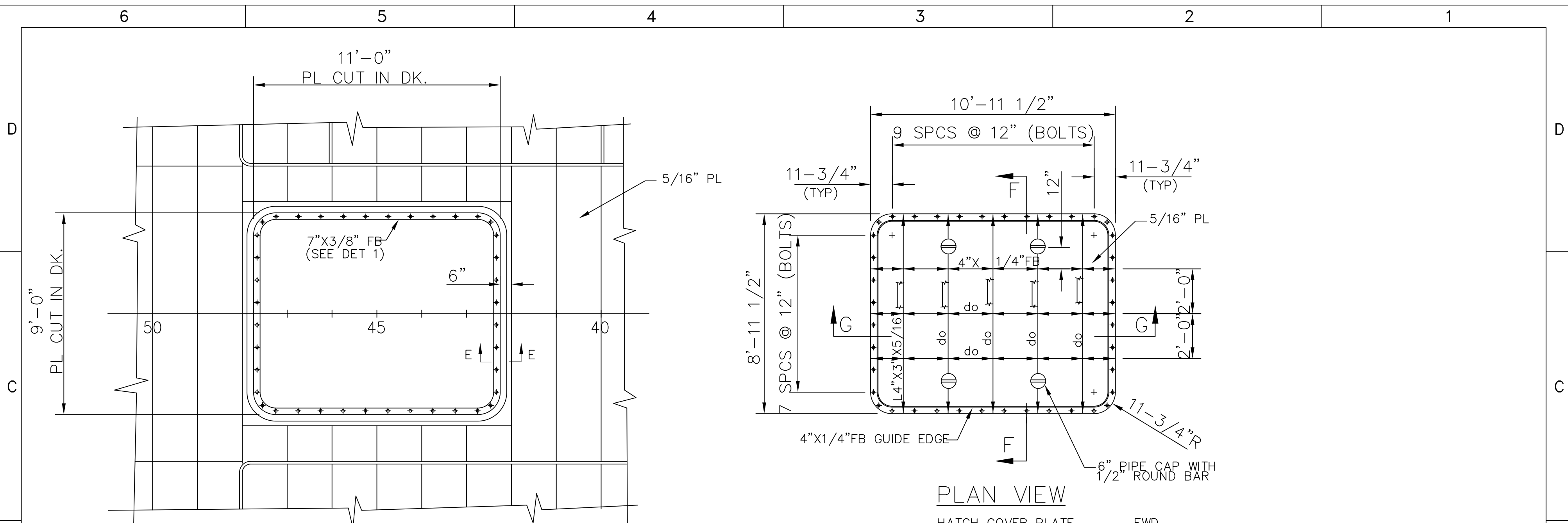
SECTION D-D

SECTION B-B

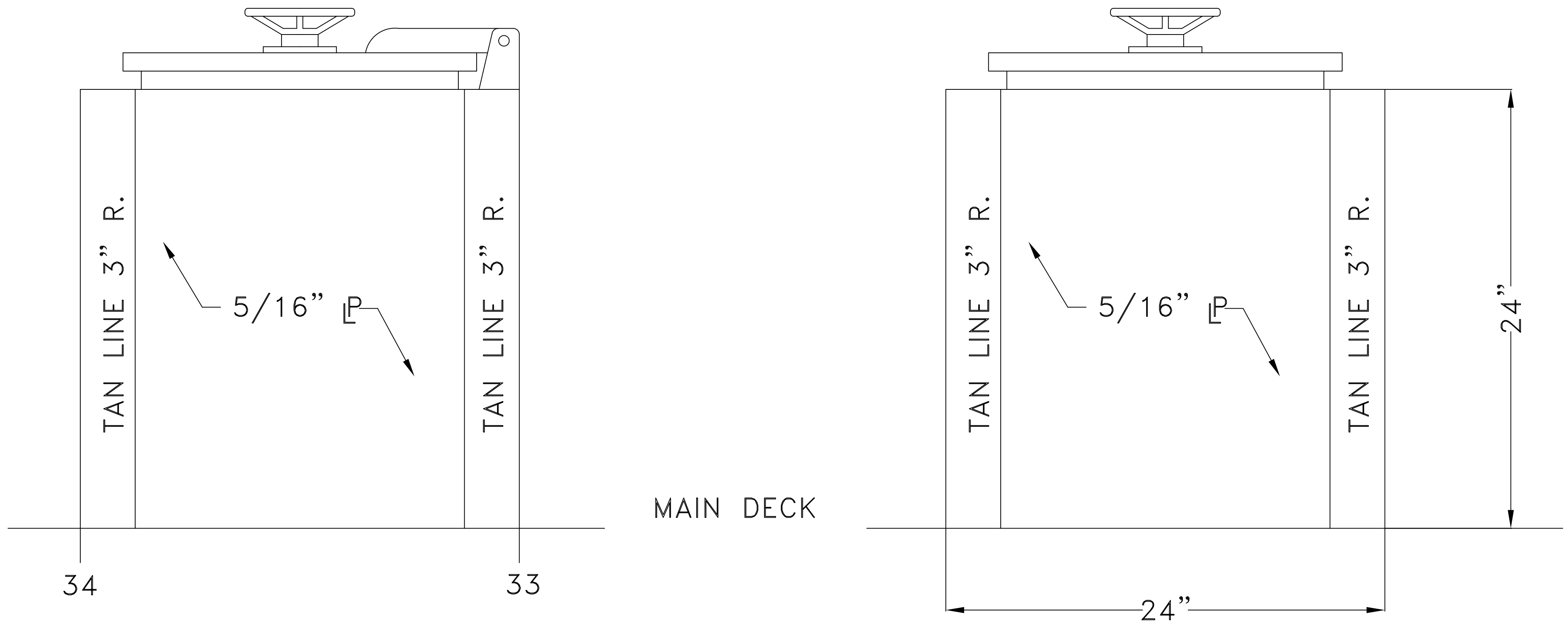
SECTION C-C

DETAIL 1

SCALE: NOTED	CONTRACT NO: S-185-32
MM	
MARINE MANAGEMENT INC.	
MARINE DESIGNERS and SURVEYORS	
P.O. Box: 1803 Ocean Springs, MS 39566-1803	
Ph: 601-872-2846 Fax: 601-872-0606 Online: MInc@aol.com	
DWG. No: S-185-A8	Sht 2 of 3



	SCALE: NOTED	CONTRACT NO: S-185-32
	MARINE MANAGEMENT INC. MARINE DESIGNERS and SURVEYORS	
	P.O. Box: 1803 Ocean Springs, MS 39566-1803 Ph: 601-872-2846 Fax: 601-872-0606 Online: MMinc@aol.com	
	DWG. No: S-185-A8	Sh: 3 of 3



ESCAPE HATCH DETAIL

NOTE: SEE DWG H-1 FOR LOCATION
 SCALE: 3/4" = 1'-0"