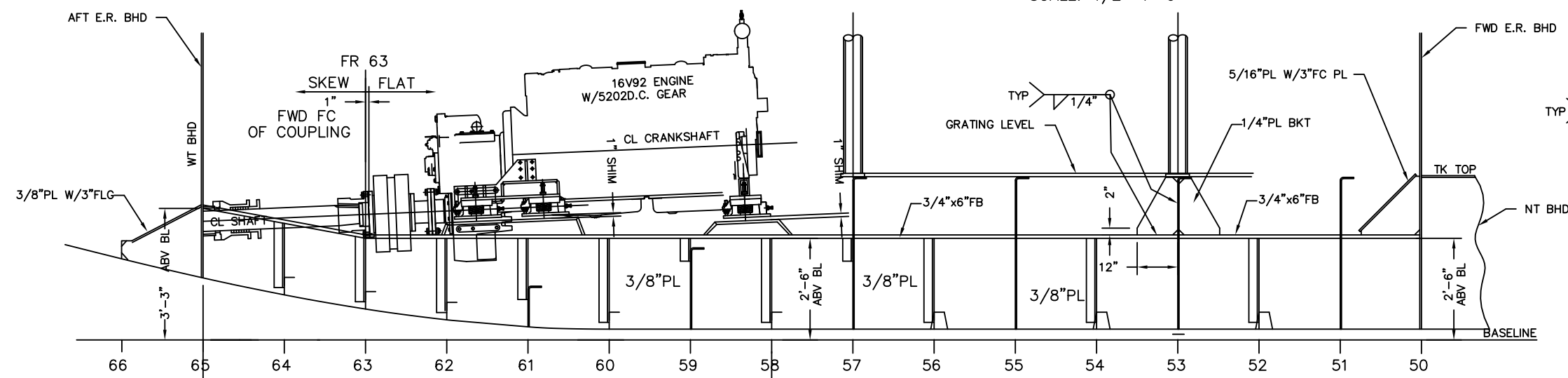
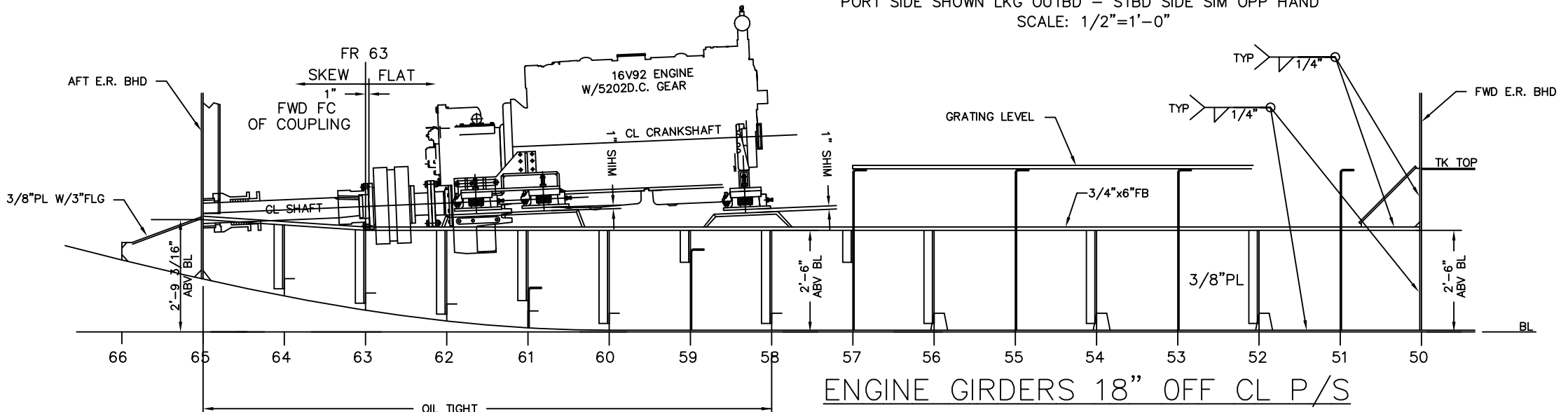


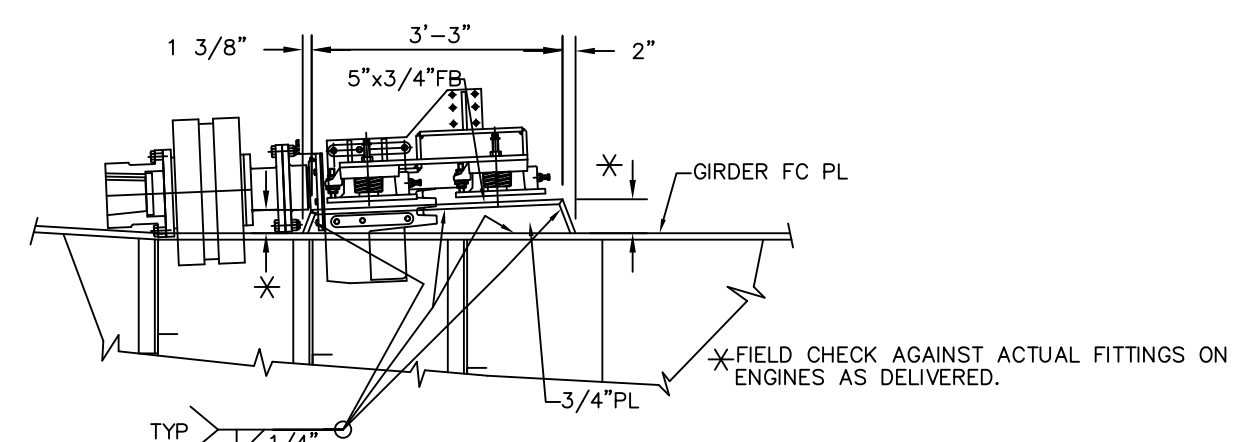
ENGINE GIRDERS 12'-6" OFF CL P/S
PORT SIDE SHOWN LKG OUTBD - STBD SIDE SIM OPP HAND
SCALE: 1/2"=1'-0"



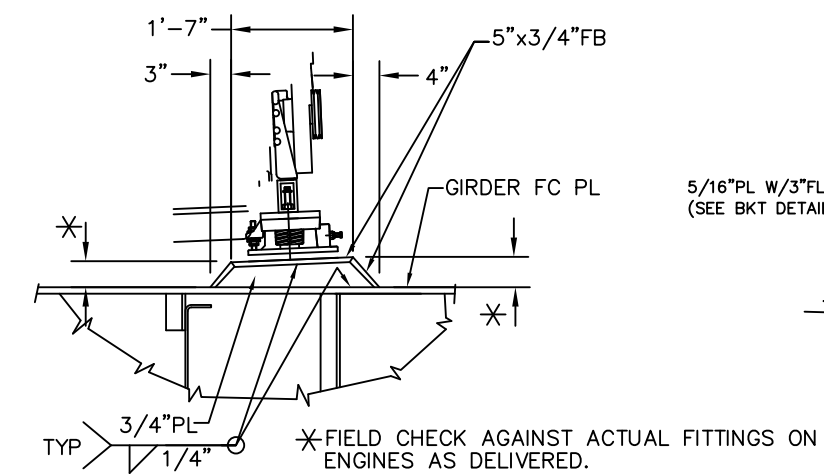
ENGINE GIRDERS 9'-6" OFF CL P/S
PORT SIDE SHOWN LKG OUTBD - STBD SIDE SIM OPP HAND
SCALE: 1/2"=1'-0"



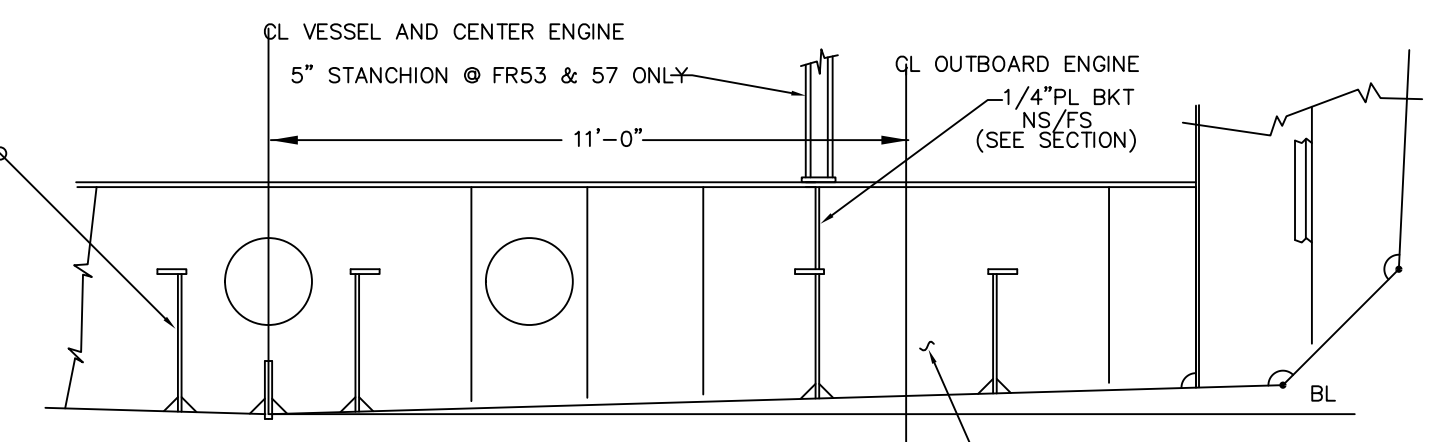
ENGINE GIRDERS 18" OFF CL P/S
PORT SIDE SHOWN LKG OUTBD - STBD SIDE SIM OPP HAND
SCALE: 1/2"=1'-0"



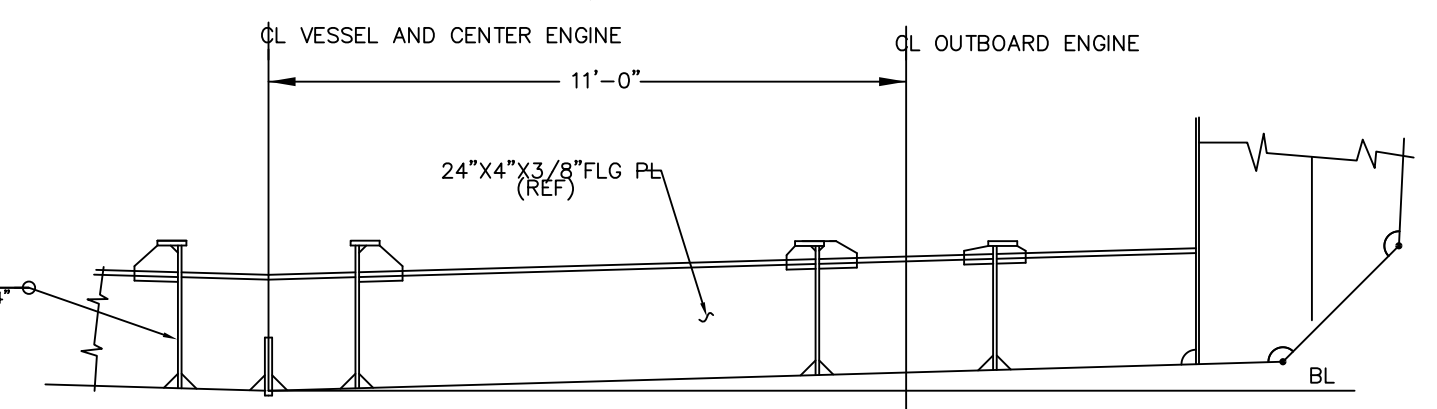
AFT ENGINE MOUNT
2 REQD. FOR EACH ENGINE
FIELD CHECK ALL DIMENSIONS
SCALE: 3/4"=1'-0"



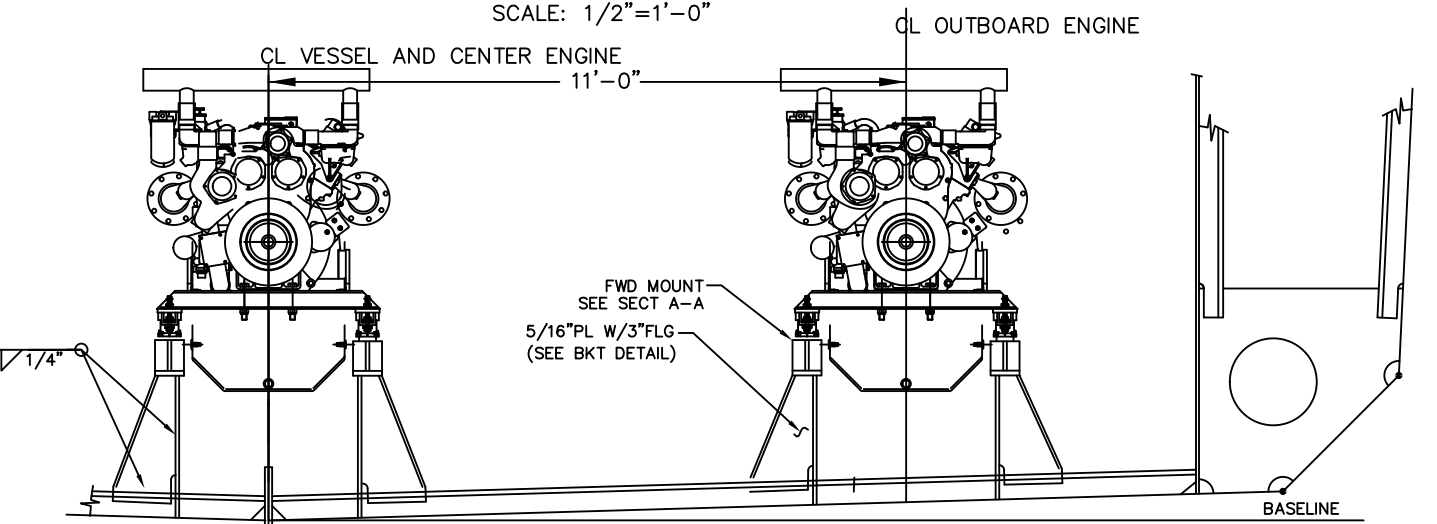
FWD ENGINE MOUNT
2 REQD. FOR EACH ENGINE
SCALE: 3/4"=1'-0"



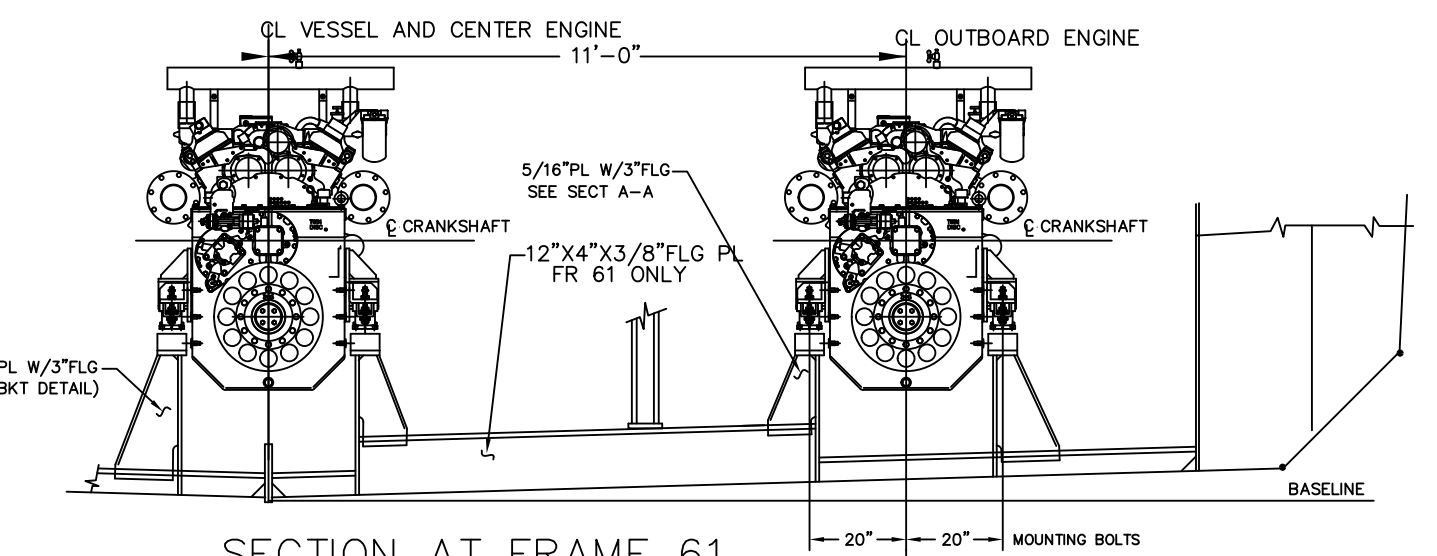
SECTION AT FRAME 51
FRAME 53, 55 & 57 SIMILAR - PORT SIDE SHOWN LOOKING AFT
SCALE: 1/2"=1'-0"



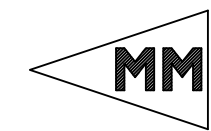
SECTION AT FRAME 59
PORT SIDE SHOWN LOOKING AFT
SCALE: 1/2"=1'-0"



SECTION AT FRAME 58
FR'S 52/54/56 SIMILAR - PORT SIDE SHOWN LOOKING AFT
SCALE: 1/2"=1'-0"



SECTION AT FRAME 61
FR'S 60/62/63/64 SIMILAR - PORT SIDE SHOWN LOOKING AFT
SCALE: 1/2"=1'-0"



SCALE: NOTED	CONTRACT NO: S-185-32
MARINE MANAGEMENT INC.	
MARINE DESIGNERS and SURVEYORS	
P.O. Box: 1803 Ocean Springs, MS 39566-1803	DWG. NO: S-185-M3
Ph: 601-872-2846 Fax: 601-872-0606 Online: MMinc25@aol.com	SHT: 2 OF 2

S-185-M3 REV.3