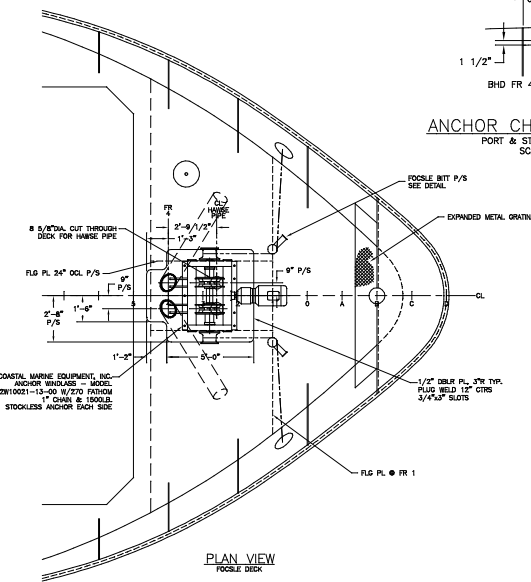
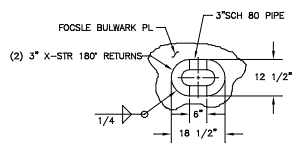


ANCHOR CHAIN BITTER END

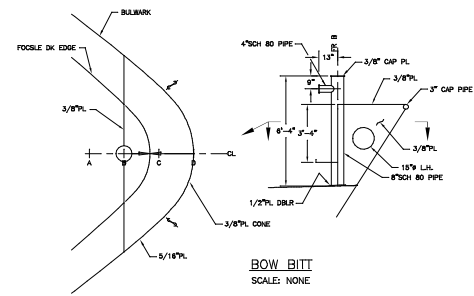
PORT & STBD = 15" OFF CL
SCALE: NONE



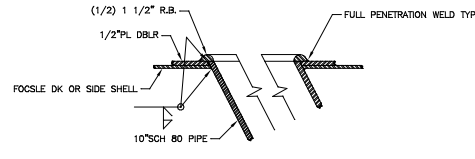
PLAN VIEW
FOCSLE DECK



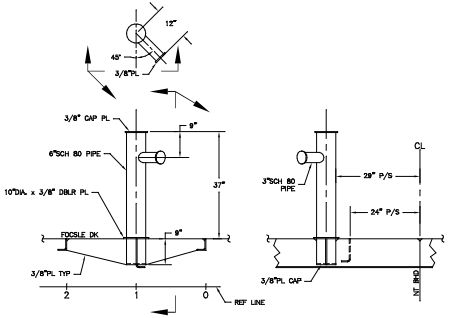
MOORING EYE
SCALE: 3/4\"/>



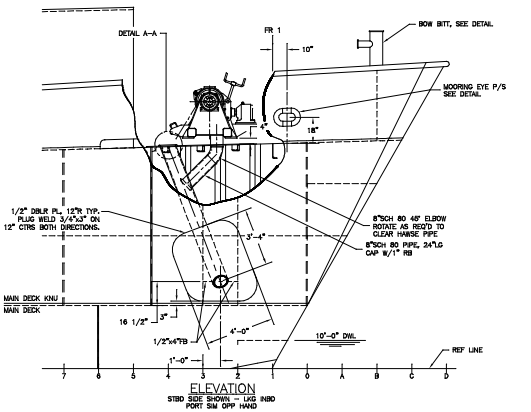
BOW BITT
SCALE: NONE



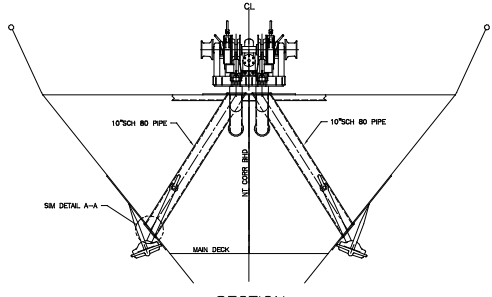
DETAIL A-A
SCALE: NONE



FOCSLE DK BITT
STBD SIDE SHOWN - PORT SIDE OPP HAND
SCALE: 3/4\"/>



ELEVATION
STBD SIDE SHOWN - LRG 880
PORT SIDE OPP HAND



SECTION
LKG AFT

REV.	DESCRIPTION	DATE	BY
MASTER BOAT BUILDERS, INC.			
P.O. Box 702 150'-0" x 36'-0" x 12'-0" OSV Opalus, Lathrop, AL 36009			
Sheet No.:	CONCAD	Project No.:	150'-0" x 36'-0" x 12'-0" LIND
Job No.:	354	Sheet:	9-5-02
ANCHOR HANDLING			
Scale:	1" = 1'	Block:	M-5
Revision:			0