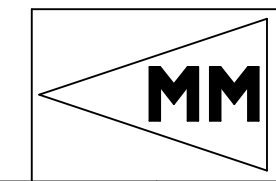
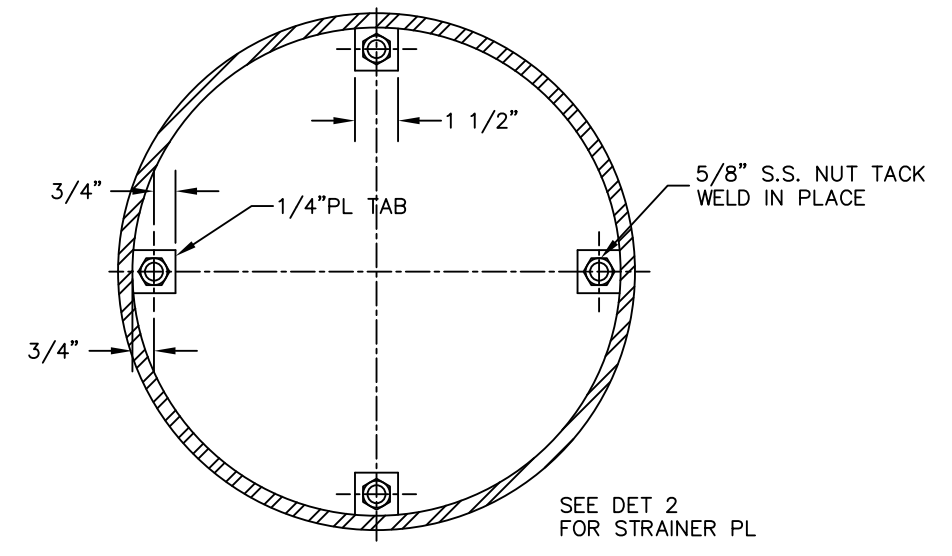
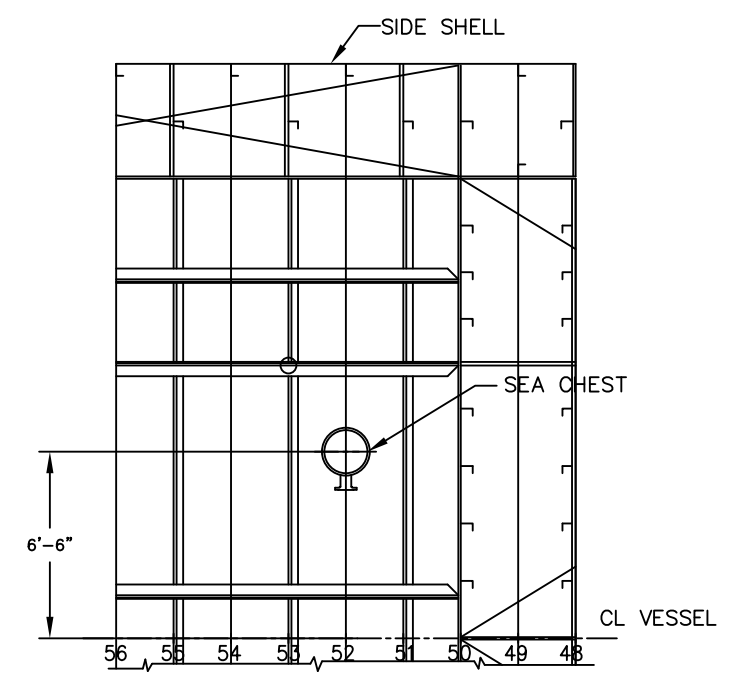
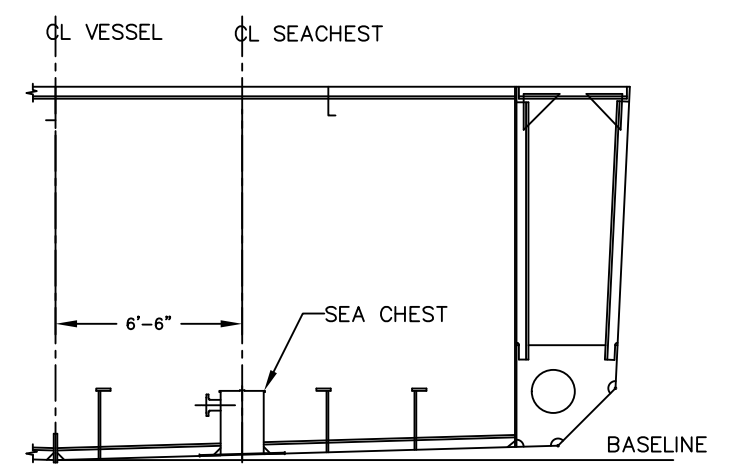
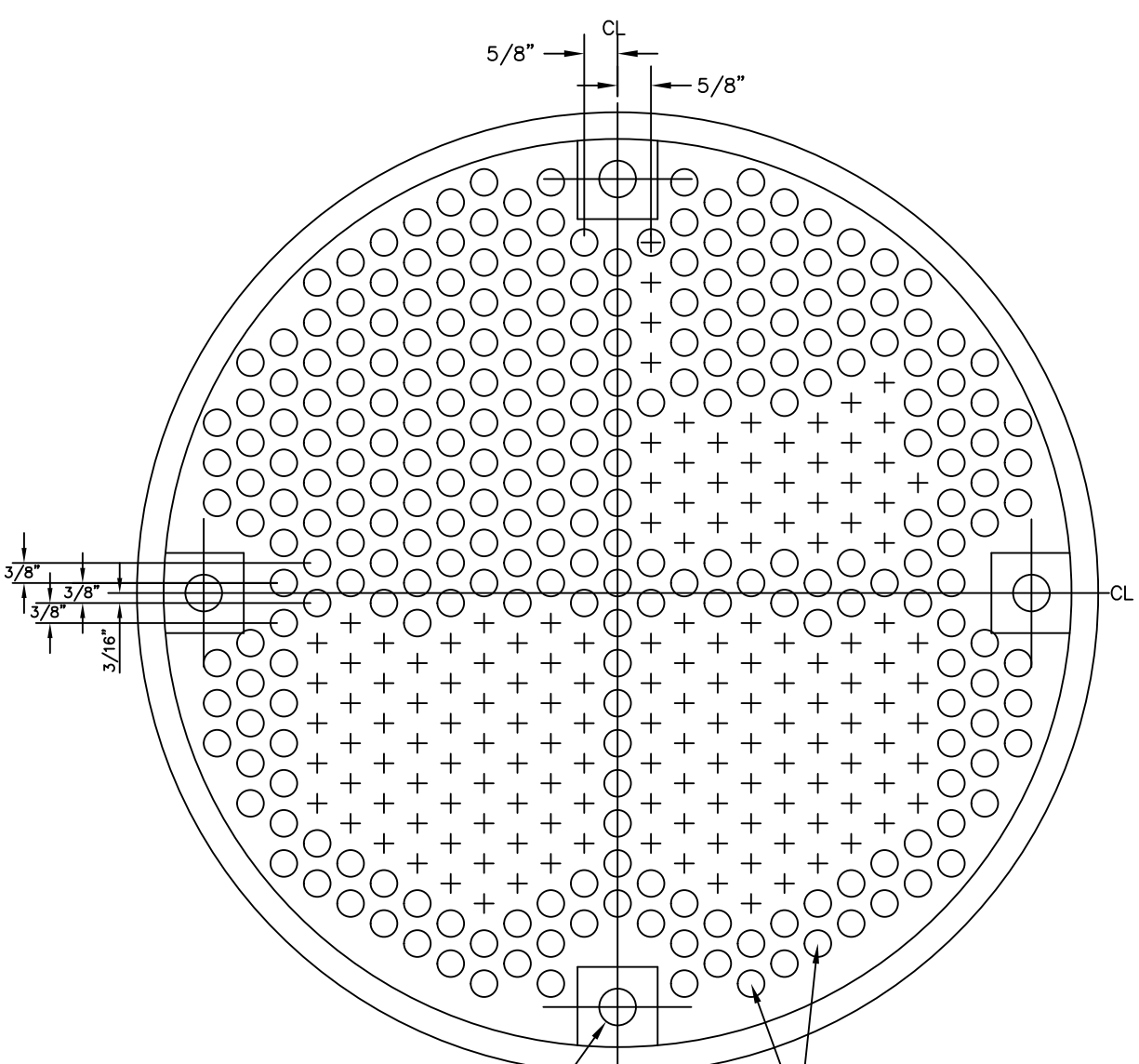
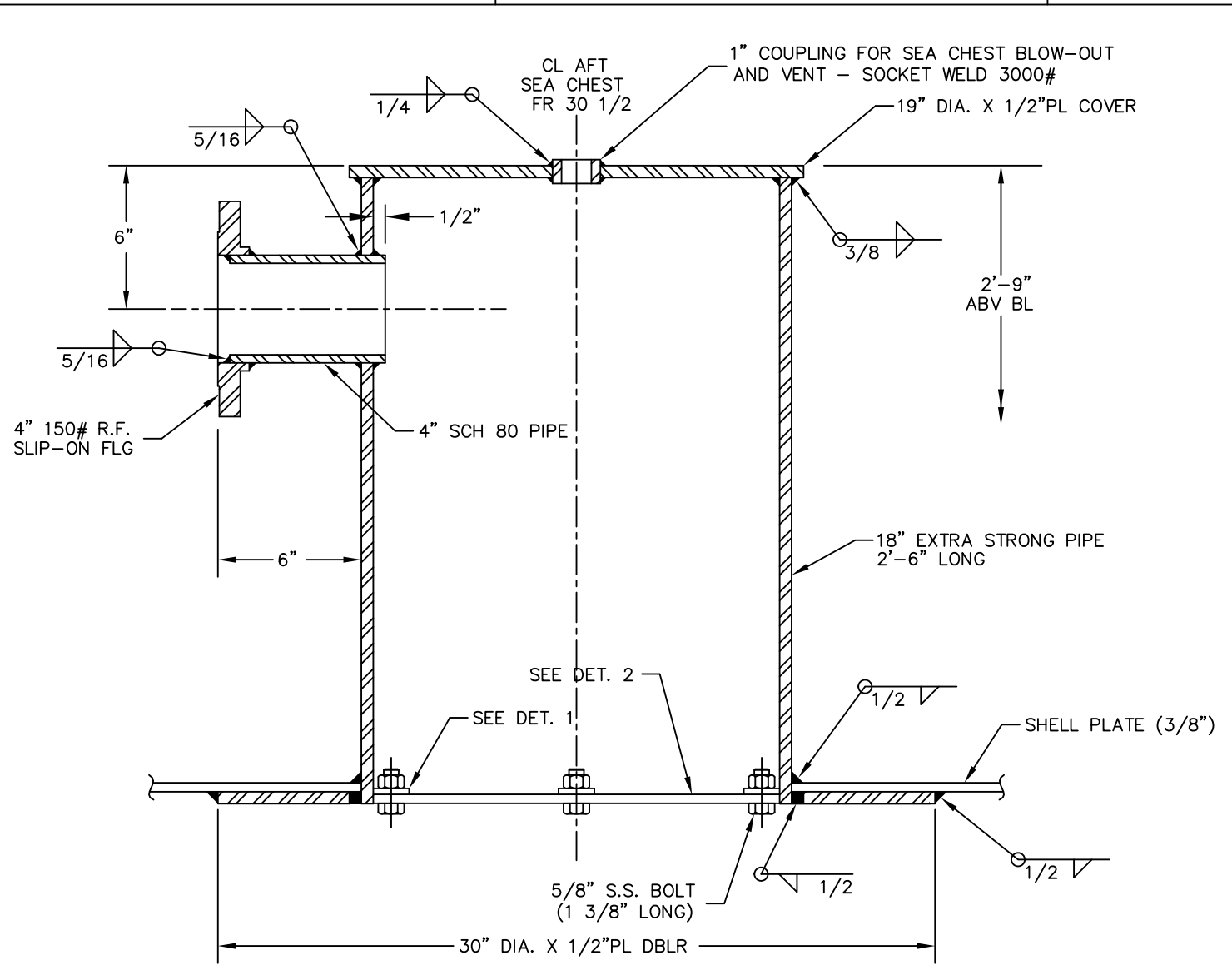


6 5 4 3 2 1



DRAWN BY:	RLP	DATE:	5/21/99
CHECKED BY:		DATE:	
APPROVED BY:		DATE:	
APPROVED BY:		DATE:	
SCALE:	NOTED	CONTRACT NO.:	S-185-32
This drawing and its contents, specifications and design concept are proprietary information and may not be wholly or partially reproduced, transferred or used for manufacture without written consent from: MARINE MANAGEMENT INCORPORATED OR ROBERT L. PAYNE. Copyright 1997			
DWG. NO.:	S-185-P11		

1	ISSUED FOR CONSTRUCTION.	RLP
NO.	ALTERATIONS	BY/DATE
TITLE: 160'-0" x 40'-0" x 13'-0" RESEARCH VESSEL		
SEA CHEST ARRANGEMENT & DETAILS		
PREPARED FOR: CAMERON OFFSHORE BOATS, INC. CAMERON, LOUISIANA		
MARINE MANAGEMENT INC.		SHT: 1
MARINE DESIGNERS and SURVEYORS		OF: 1
P.O. Box: 1803 Ocean Springs, MS 39566-1803		ALT NO: 1
Ph: 601-872-2846 Fax: 601-872-3666 Online: rlpayne@datataync.com		

REV. 1  
S-185-P11

6 5 4 3 2 1