

**EQUIPMENT LIST**

EQUIPMENT	QTY	DESCRIPTION	MATERIAL	MFR	REMARKS
STRAINER	1	3" SIMPLEX, 150# FLG	SS 304 W/ SS BASKET	HAYWARD	MODEL 72 OR EQ
WATER SEP/ FILTER	2			RACOR	MODEL 1000
WATER SEP/ FILTER	3			RACOR	MODEL 75-1000 MA
Y-STRAINER	1	Y-TYPE 150# THD	SS 304 W/ SS BASKET	MORRISON	MODEL 285
FLOW METER	1			LIQUID CONTROL	M-15
HOSE		WP 250PSI BURET 1000PSI		WEATHERHEAD	J1842

**MATERIAL SCHEDULE**

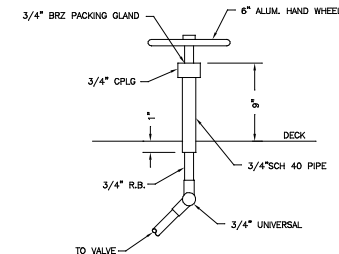
NO.	SYSTEMS SERVICE	SIZES	PIPE	VALVES		FITTINGS	TAKE-DOWN JOINTS	ASTM SPEC		GASKETS
				BODIES	TRIM			BOLTS	NUTS	
1	FUEL OIL TRANSFER AND SERVICE	3/4" TO 3"	BLK STL ASTM A-53-B SCH 40	GATE, BRZ 125# THD ASTM B-82		BR, STD WT ASTM A 234 ANSI B16.9	FLG, 150# ASTM A-105 ANSI B16.5	A 305 OR B	A 563 OR A	
				CHECK, BRZ 125# THD ASTM B-82						
				BUTTERFLY WATER, D.I. ASTM A-395						

**PUMP TABLE**

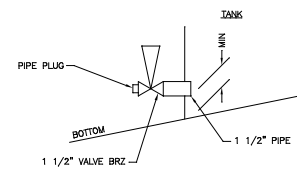
SERVICE	QTY	TYPE	CAPACITY	DISCH PRESS PSIG	HP	REMARKS
FUEL OIL TRANSFER	1	CFG	180GPM @ 155FT HD		15	BARNES, 250CE, 3 x 3, SHUT OFF @ 185 FT HD
FUEL OIL TRANSFER	3					HAND PUMP

**SYMBOL LIST**

SYMBOL	DESCRIPTION
	VALVE, GLOBE
	VALVE, GATE
	VALVE, GATE/REACH ROD TO MIN DK
	VALVE, CHECK
	VALVE, BUTTERFLY
	FILTER, SIMPLEX
	FILTER, DUPLEX
	FLOW METER
	HOSE
	RETURN PIPING
	SUPPLY PIPING



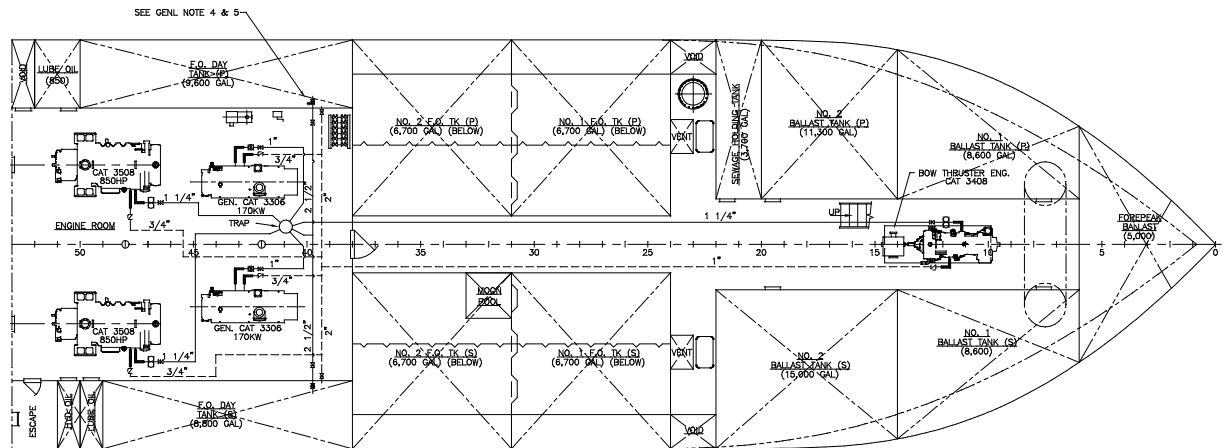
**TYP REACH ROD ARRGT**  
SCALE: NONE



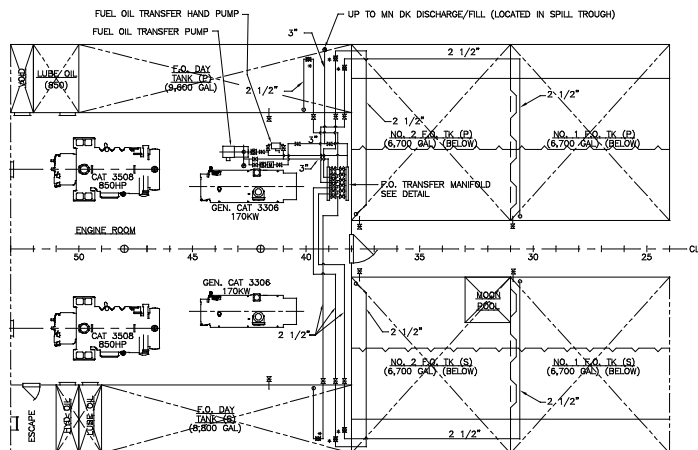
**DRAIN DETAIL**  
SCALE: NONE

**GENERAL NOTES**

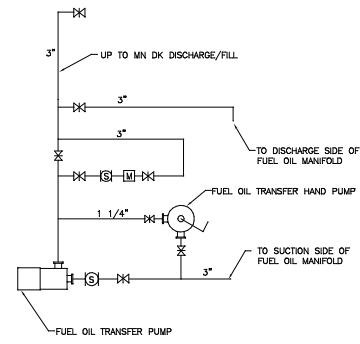
1. ALL FUEL SERVICE LINES TO ENGINES ARE TO BE SEAMLESS.
2. TERMINATE FUEL SUCTION LINE FOR ENGINE SUPPLY APPROX. 3" ABOVE LOW SPOT OF TANK.
3. ALL FUEL/LUBE OIL TANKS TO BE EQUIPPED WITH 1 1/2" DRAW AT LOW SPOT OF TANK.
4. ALL VALVES SUBJECT TO STATIC PRESSURE ARE TO BE REACH ROD OPERATED AND ARE MARKED WITH AN "R". REACH RODS TO BE OPERATED OUTSIDE OF WOODEN DECKING.
5. ALL FUEL LINES, EXCEPT AS NOTED IN QN 2, TO BE LOCATED 2" OFF BOTTOM AT LOWEST POINT IN TANK.



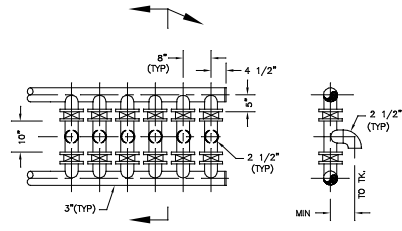
**FUEL OIL SERVICE DIAGRAM**



**FUEL OIL TRANSFER DIAGRAM**



**ELEVATION**  
SCALE: NONE



**FUEL OIL TRANSFER MANIFOLD**  
SCALE: NONE

REV.	DESCRIPTION	DATE	BY
	REVISIONS		
<b>MASTER BOAT BUILDERS, INC.</b>			
P.O. Box 702		Bayou LaBatre, AL 36509	
150'-0" x 36'-0" x 12'-0" OSV			
Drawn By : C. BRAUN	Approved By :	Scale : 3/16"=1'-0"	
Hull No. 354	Date : 7-2-02		
<b>FUEL OIL SYSTEM DIAGRAM</b>			
Sheet : 1 of 1	Drawing Number :	P-2	Rev. 0