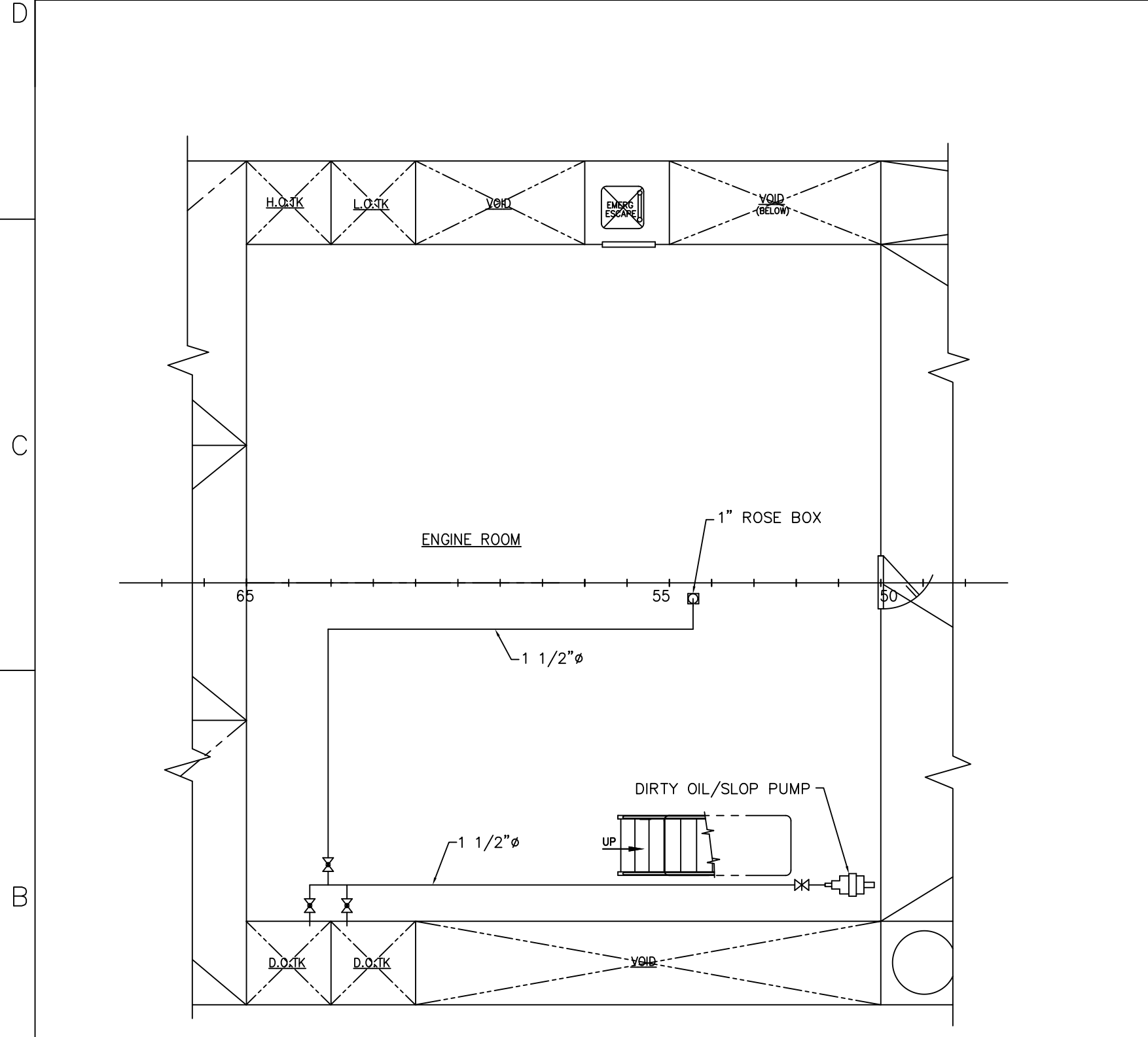


6 5 4 3 2 1

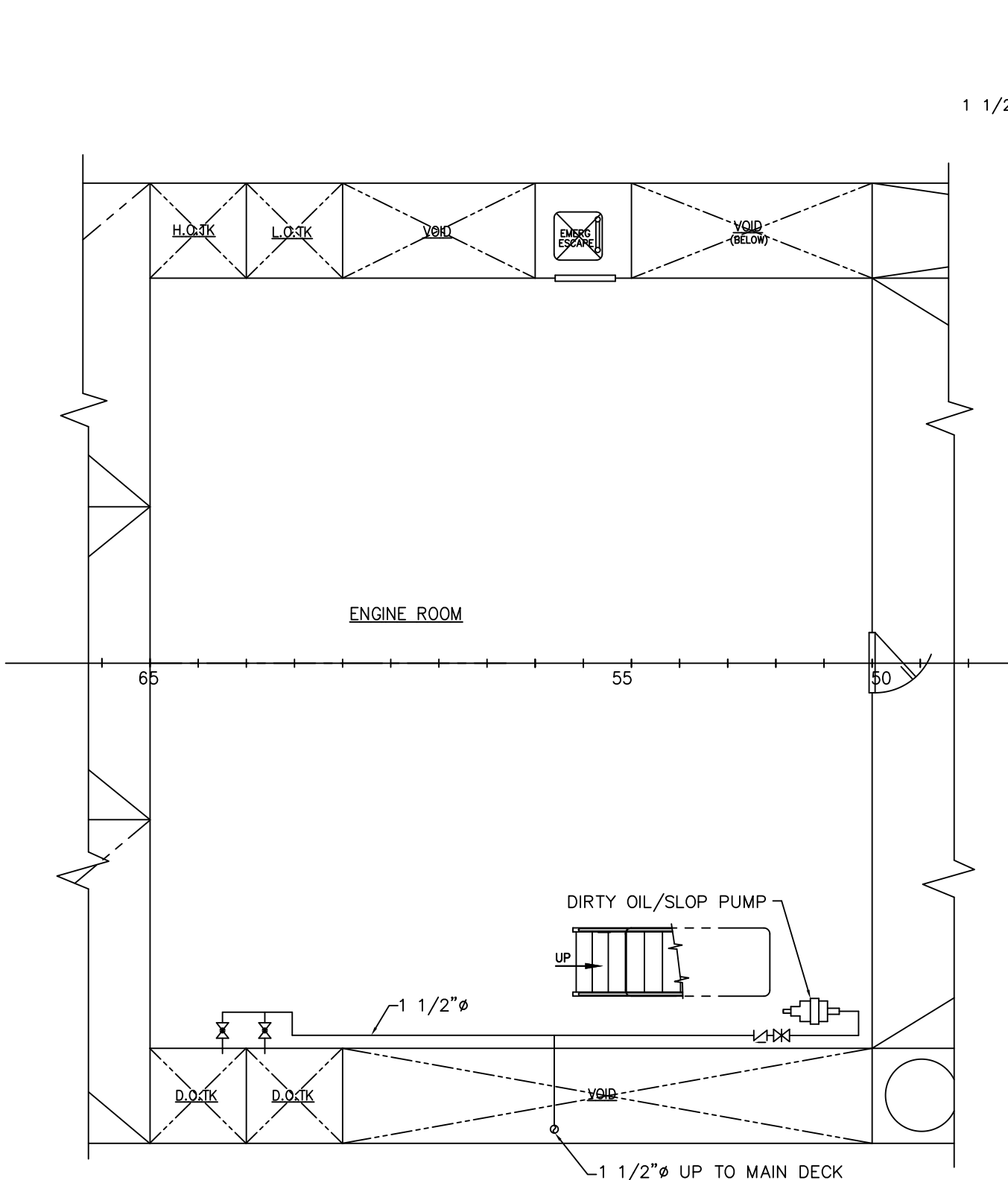
MATERIAL SCHEDULE										
NO.	SYSTEMS	SIZES	PIPE	VALVES		FITTINGS	TAKE-DOWN JOINTS	ASTM SPEC		GASKETS
				BODIES	TRIM			BOLTS	NUTS	
1	WASTE OIL SUCTION/DISCHARGE	1 1/2"	BLK STL ASTM A-53-B SCH 40	GATE, BRZ 125# THD ASTM B-62		BW, STD WT ASTM A 234 ANSI B16.9	FLG, 150# ASTM A-105 ANSI B16.5	A 305 GR B	A 563 GR A	

PUMP TABLE						
SERVICE	QTY	TYPE	CAPACITY	DISCH PRESS PSIG	HP	REMARKS
DIRTY OIL	1	GEAR	22 GPM @ 60 PSI		2	OBERDORFER MOD. 9000R 1725 RPM

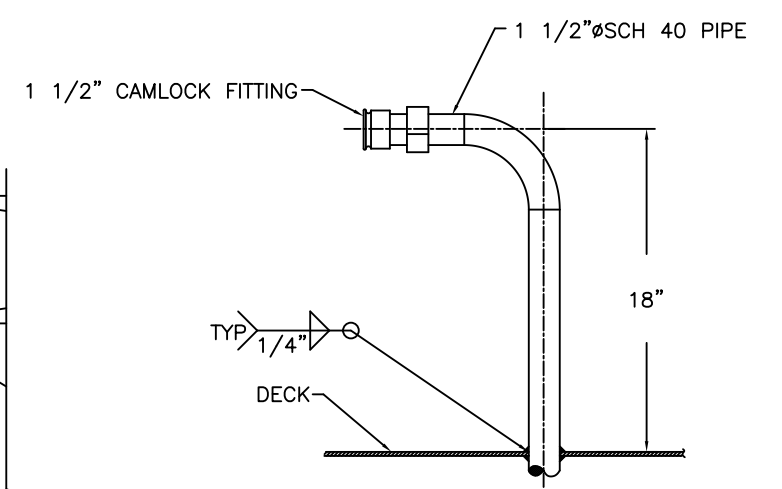
SYMBOL LIST	
SYMBOL	DESCRIPTION
	VALVE, BALL
	VALVE, CHECK - AIR COMPRESSOR
	REDUCER
	VALVE, GATE



DIRTY OIL SUCTION



DIRTY OIL DISCHARGE

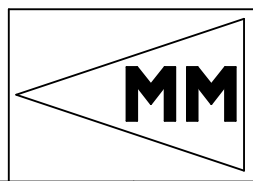


DETAIL 1  
MAIN DECK DISCHARGE  
NTS

A B C D

1	ISSUED FOR CONSTRUCTION	RLP 6/21/99
	ALTERATIONS	BY/DATE
TITLE: 160'-0"x40'-0"x13'-0" RESEARCH VESSEL <b>DIRTY OIL SYSTEM DIAGRAM</b>		
PREPARED FOR: CAMERON OFFSHORE BOATS, INC. CAMERON, LOUISIANA		
DRAWN BY: RLP CHECKED BY: APPROVED BY: DATE: 6/15/99		CONTRACT NO: S-185-32 SCALE: NONE
MARINE MANAGEMENT INC. MARINE DESIGNERS and SURVEYORS P.O. Box: 1803 Ocean Springs, MS 39566-1803 Ph: 601-872-2846 Fax: 601-872-3666 Online: rlpayne@datataync.com		
SHIT: 1 OF: 1 ALT NO: 1		

FOR RELATED INFORMATION SEE DWG NO. P1



6 5 4 3 2 1

S-185-P5 REV. 1