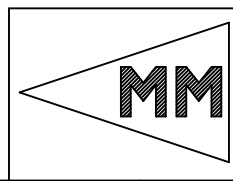


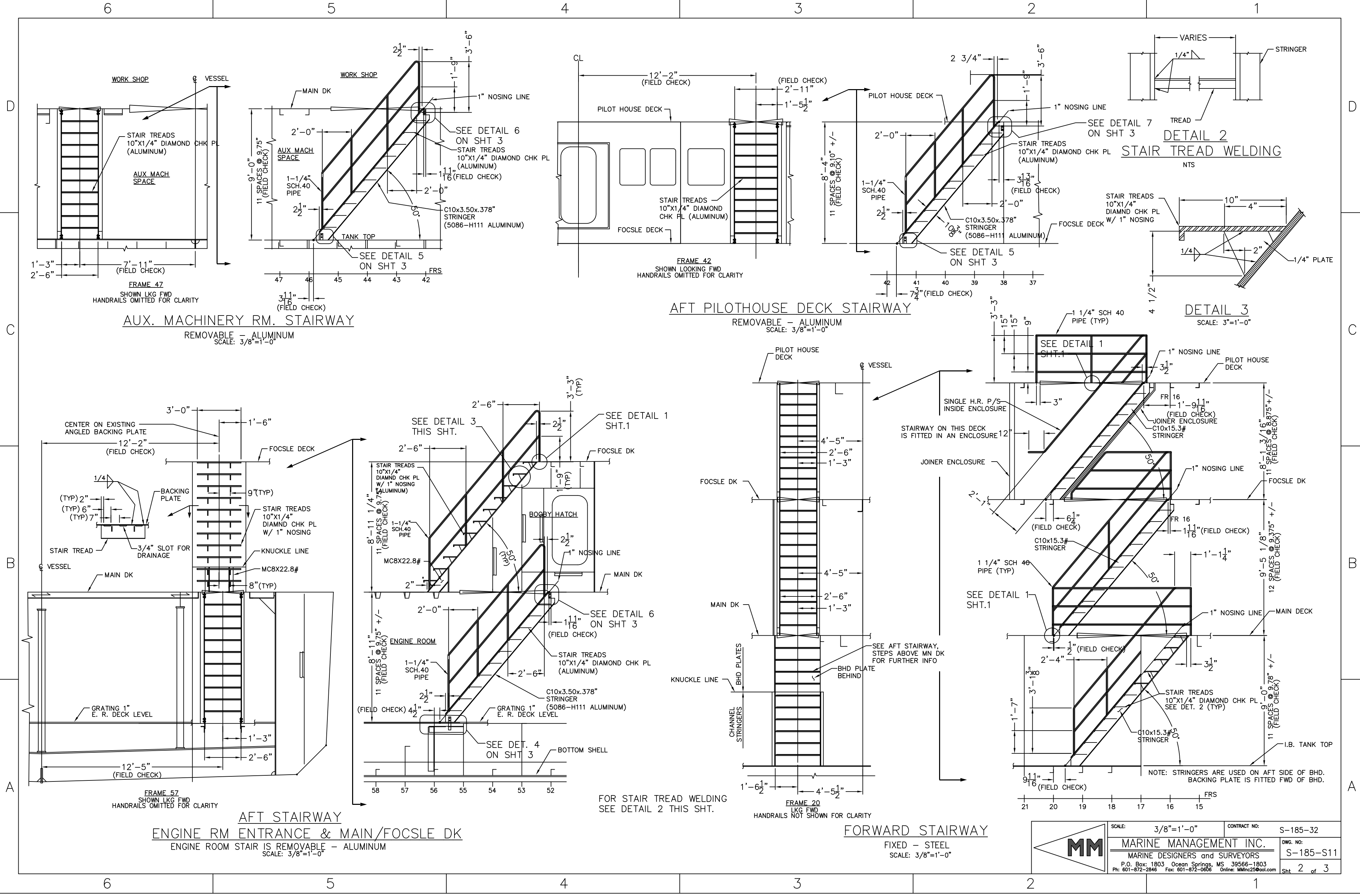
REQUIRED MODIFICATIONS TO EXISTING STRUCTURE:
 STAIR CUT OUT / MAIN DECK FORWARD EXTEND CUT OUT 12" AFT ON AFTER END.
 STAIR CUT OUT / FOCSLE DECK FWD-EXTEND CUT OUT 12" AFT ON AFTER END.
 STAIR CUT OUT / PILOT HOUSE - FILL IN 14" ON FORWARD END OF CUT OUT.
 EXTEND CUT OUT 26" AFT ON AFTER END.

DRAWN BY:	RLP	DATE:	7/10/99
CHECKED BY:		DATE:	
APPROVED BY:		DATE:	
APPROVED BY:		DATE:	
SCALE:	3/16"=1'-0"	CONTRACT NO.:	S-185-32
<small>This drawing and its contents, specifications and design concept are proprietary information and may not be wholly or partially reproduced, transferred or used for manufacture without written consent from: MARINE MANAGEMENT INCORPORATED OR ROBERT L. PAYNE. Copyright 1997</small>			
DWG. NO.:	S-185-S11		

NO.	1	1. REVISED SCALE OF V.L. DETAILS ON SHT.1. 2. REVISED REMOVABLE MOON POOL H.R. DETAILS ON SHT. 3.	RLP 7/21/99
NO.	2	ISSUED FOR CONSTRUCTION.	RLP 7/12/99
ALTERATIONS			
TITLE: 160'-0" x 40'-0" x 13'-0" RESEARCH VESSEL			
HANDRAILS STAIRWAYS AND LADDERS			
PREPARED FOR: CAMERON OFFSHORE BOATS, INC. CAMERON, LOUISIANA			
MARINE MANAGEMENT INC.			
MARINE DESIGNERS and SURVEYORS			
P.O. Box: 1803 Ocean Springs, MS 39566-1803			
Ph: 601-872-2846 Fax: 601-872-0606 Online: MMinc25@aol.com			
SHT:	1		
OF:	3		
ALT NO:	2		



S-185-S11 SHT 1 ALT. 2



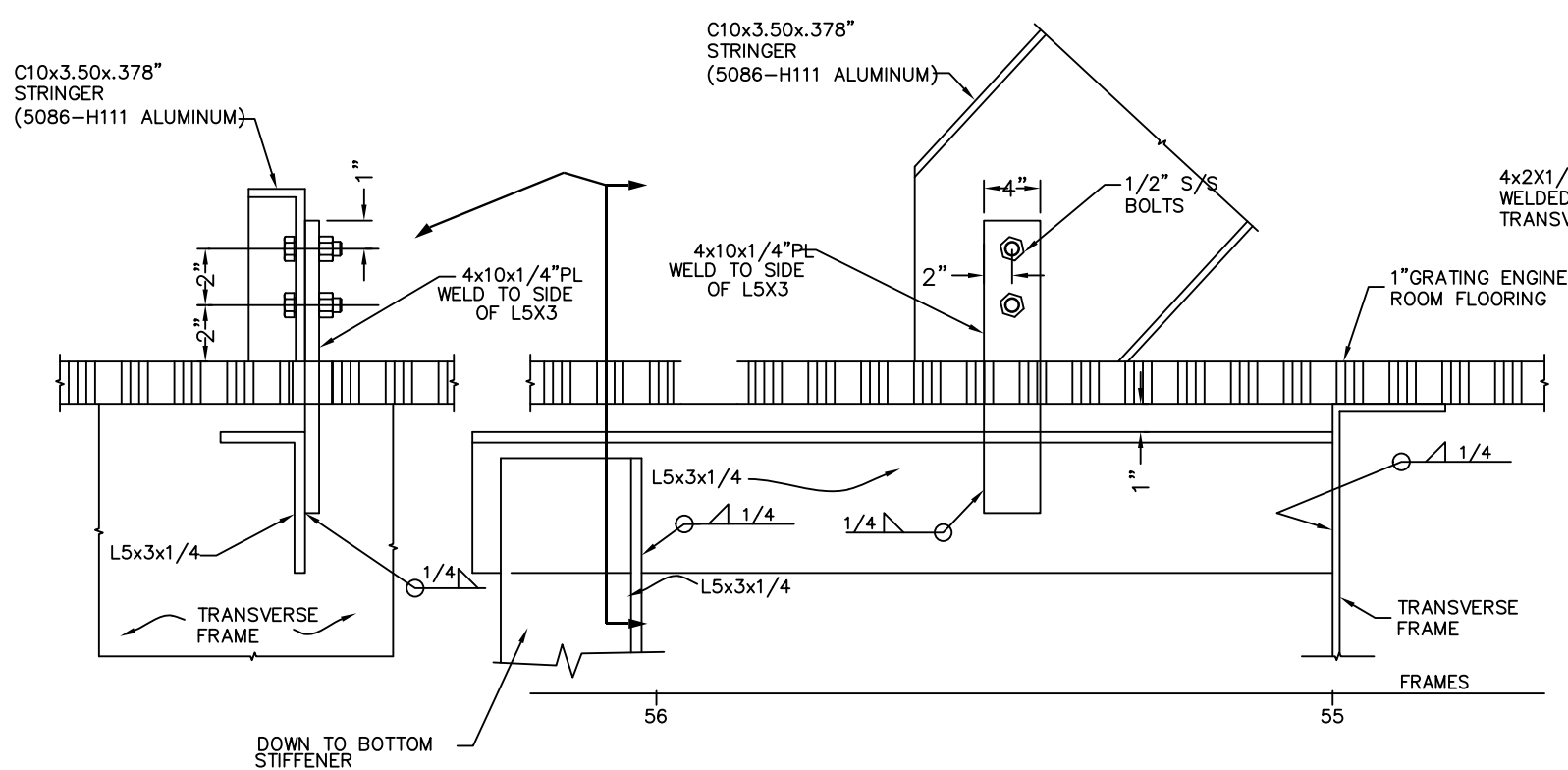
AFT STAIRWAY
ENGINE RM ENTRANCE & MAIN/FOCSLE DK
 ENGINE ROOM STAIR IS REMOVABLE - ALUMINUM
 SCALE: 3/8"=1'-0"

AFT PILOTHOUSE DECK STAIRWAY
 REMOVABLE - ALUMINUM
 SCALE: 3/8"=1'-0"

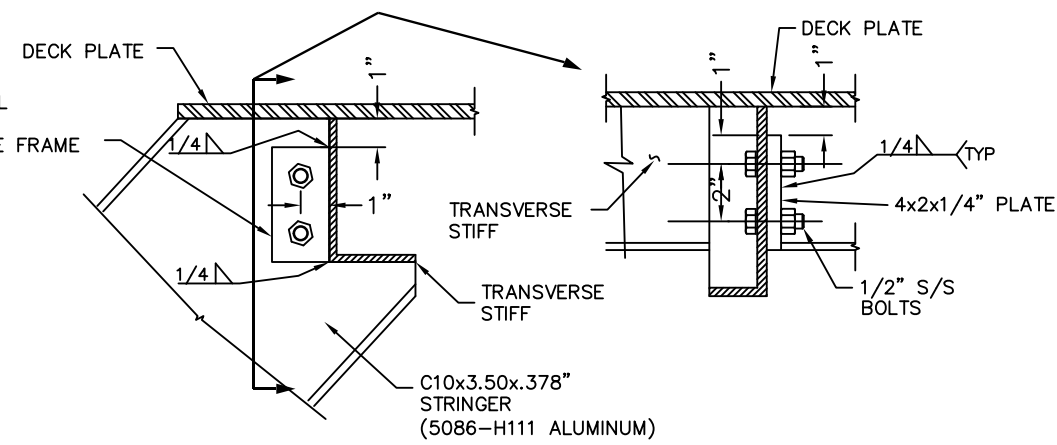
FORWARD STAIRWAY
 FIXED - STEEL
 SCALE: 3/8"=1'-0"

	SCALE: 3/8"=1'-0"	CONTRACT NO: S-185-32
	MARINE MANAGEMENT INC. MARINE DESIGNERS and SURVEYORS	
	P.O. Box: 1803 Ocean Springs, MS 39566-1803 Ph: 601-872-2846 Fax: 601-872-0606 Online: MMinc2@aol.com	
	DWG. NO: S-185-S11	Sheet 2 of 3

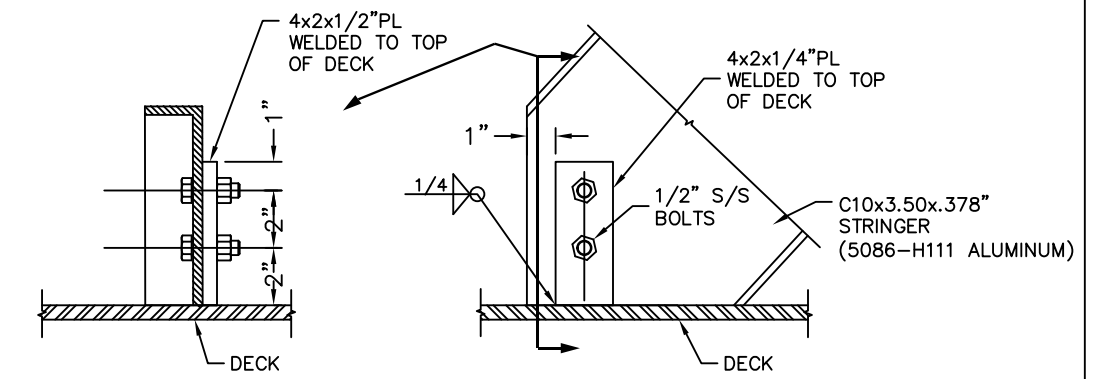
S-185-S11 SHT 2 ALT. 2



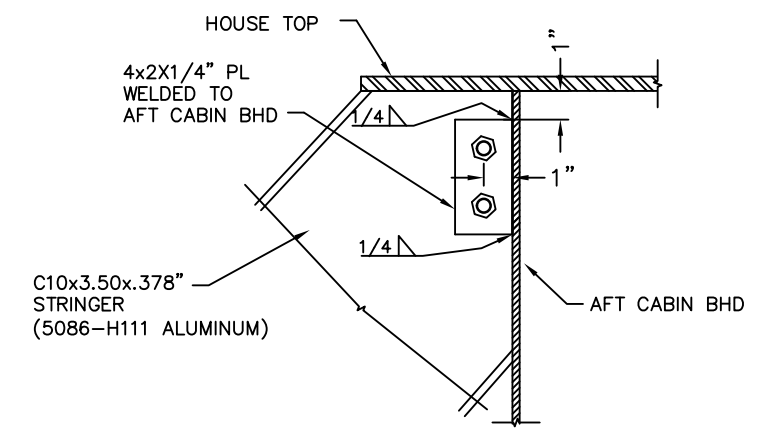
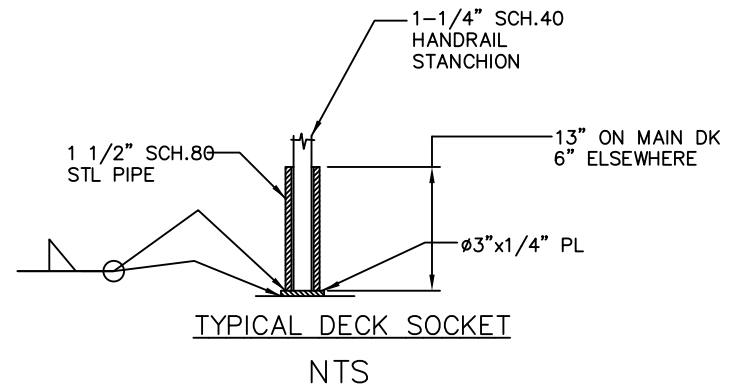
DETAIL 4
SCALE: 3"=1'-0"



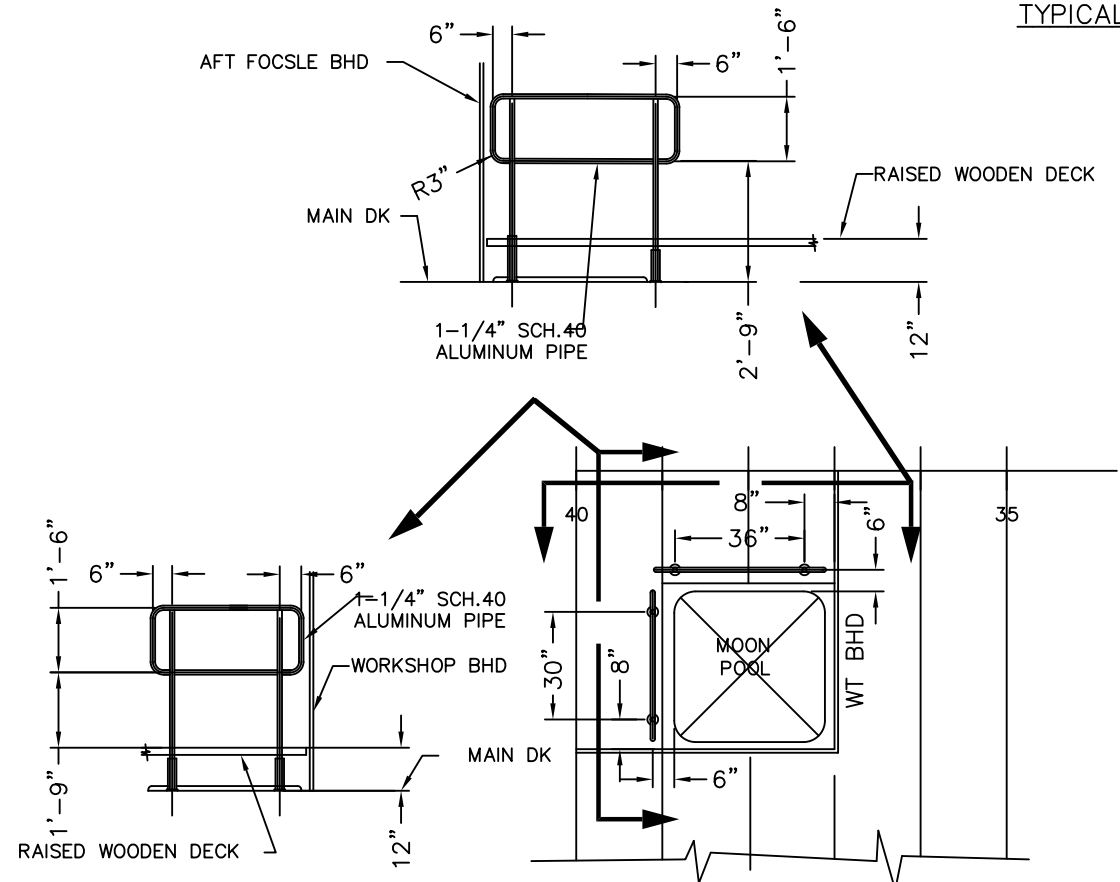
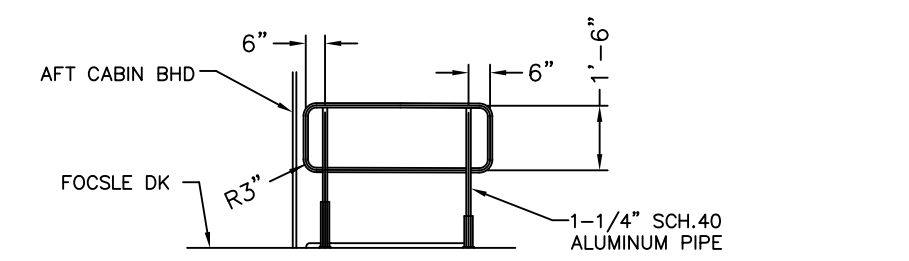
DETAIL 6
SCALE: 3"=1'-0"



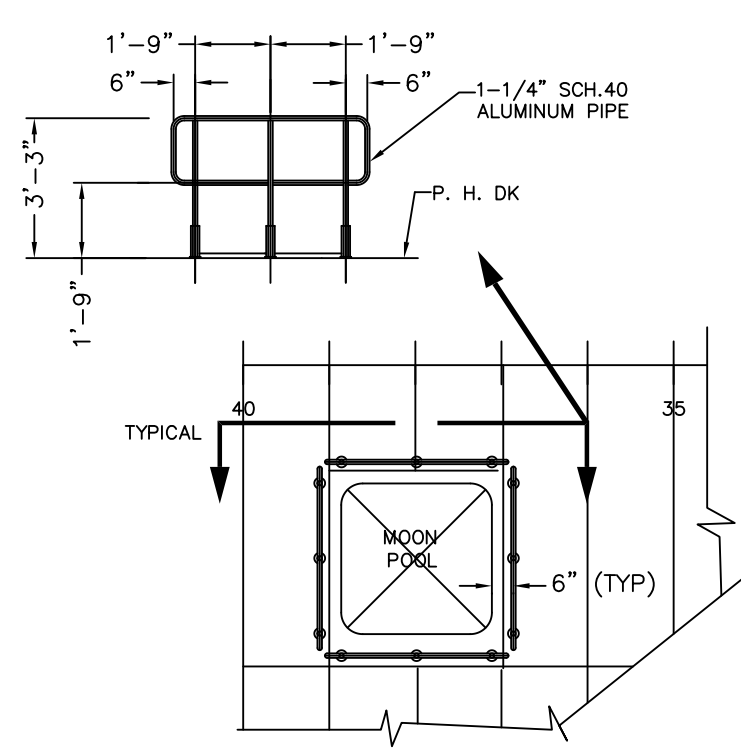
DETAIL 5
SCALE: 3"=1'-0"



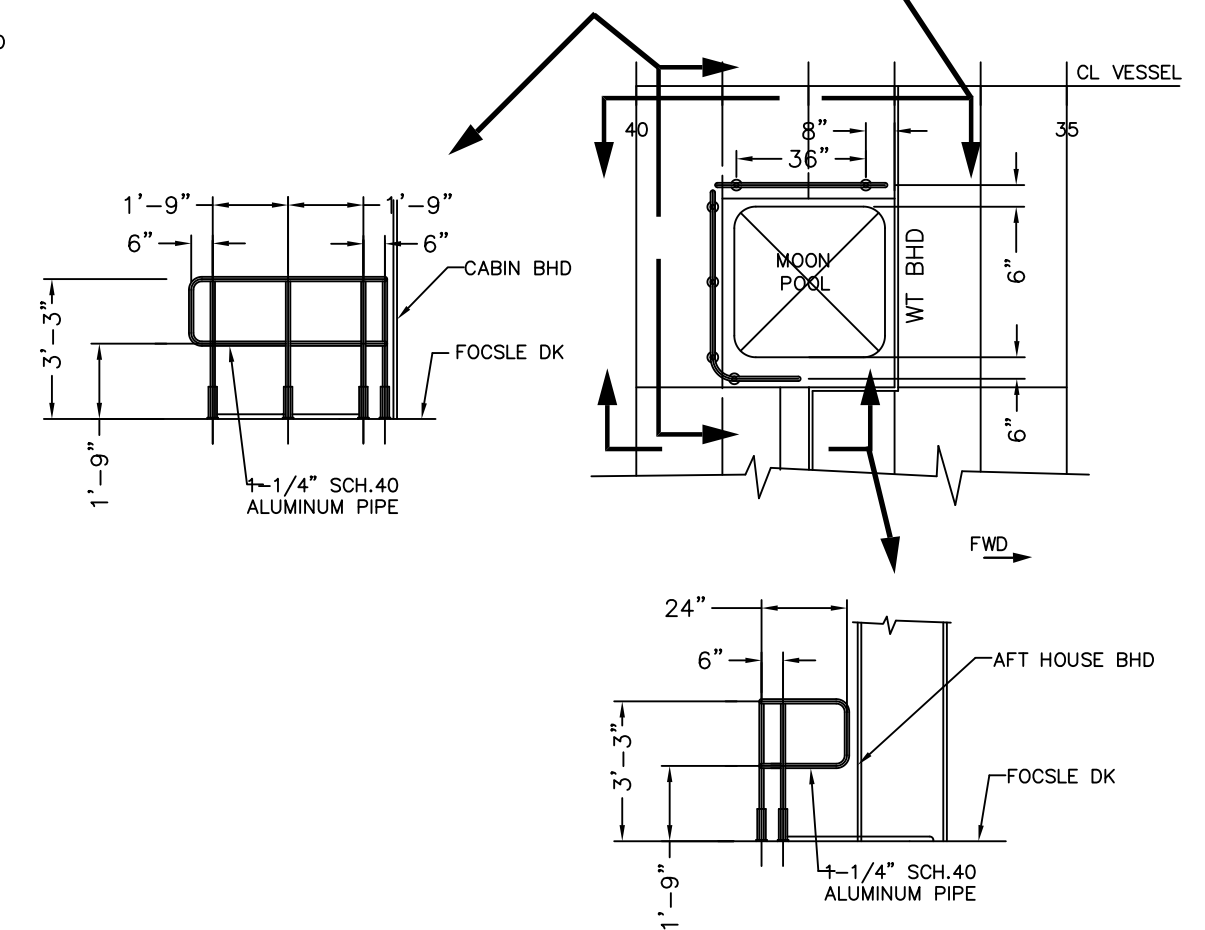
DETAIL 7
SCALE: 3"=1'-0"



REMOVABLE HANDRAIL AT MAIN DECK MOON POOL
STBD. SHOWN PORT SIMILAR TO OPP. HAND
SCALE: 3/8"=1'-0"



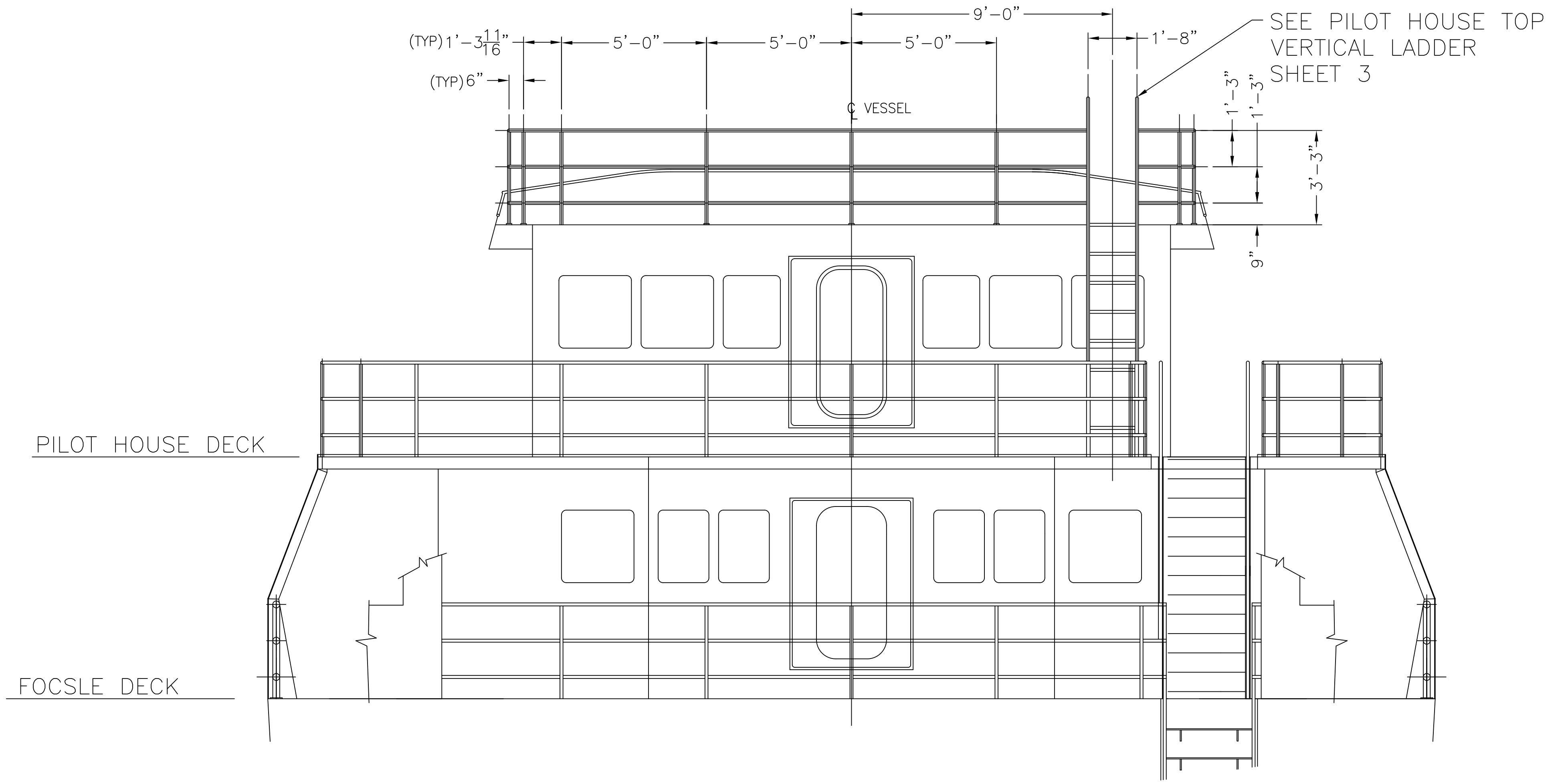
REMOVABLE HANDRAIL AT P.H. DECK MOON POOL
STBD. SHOWN PORT SIMILAR TO OPP. HAND
SCALE: 3/8"=1'-0"



REMOVABLE HANDRAIL AT FOCSLE DECK MOON POOL
STBD. SHOWN PORT SIMILAR TO OPP. HAND
SCALE: 3/8"=1'-0"

MM	SCALE: 3/8"=1'-0"	CONTRACT NO: S-185-32
	MARINE MANAGEMENT INC.	
	MARINE DESIGNERS and SURVEYORS	
P.O. Box: 1803 Ocean Springs, MS 39566-1803		
Ph: 601-872-2846 Fax: 601-872-0806 Online: MMinc25@pool.com		
	DWG. NO: S-185-S11	Sht 3 of 3

S-185-S11 SHT 3 ALT. 2



VIEW LOOKING FORWARD