

4	ADDED CONSTRUCTION CHANGES.	5/22/98
3	1) CHANGED FR 48 TO NT BHD BELOW DBL BTM. 2) ADDED TONNAGE WEBS TO FR'S 11,13,15.	11/13/96
2	REVISED PER DESIGN DEVELOPMENT.	11/12/96
1	ISSUED FOR CONSTRUCTION	7/17/96
NO.	ALTERATIONS	BY/DATE
TITLE: 160'-0" x 40'-0" x 13'-0" RESEARCH VESSEL SCANTLINGS & CL PROFILE PREPARED FOR: CAMERON OFFSHORE BOATS, INC. CAMERON, LOUISIANA MARINE MANAGEMENT INC. MARINE DESIGNERS AND SURVEYORS P.O. Box: 1803 Ocean Springs, MS 39566-1803 Ph: 601-872-2846 Fax: 601-872-0606 Online: MMinc25@aol.com SCALE: 3/16"=1'-0" CONTRACT NO: S-185-32 DRAWN BY: C.B. DATE: 5-20-98 CHECKED BY: DATE: APPROVED BY: DATE: APPROVED BY: DATE: DWC NO: S-185-S1 This drawing and its contents, specifications and design concept are proprietary information and may not be wholly or partially reproduced, transferred or used for manufacture without written consent from: MARINE MANAGEMENT INCORPORATED OR ROBERT L. PAYNE. Copyright 1998 SH: 1 OF: 2 ALT NO: 4		

S-185-S1 REV.4

6 5 4 3 2 1

D

D

C

C

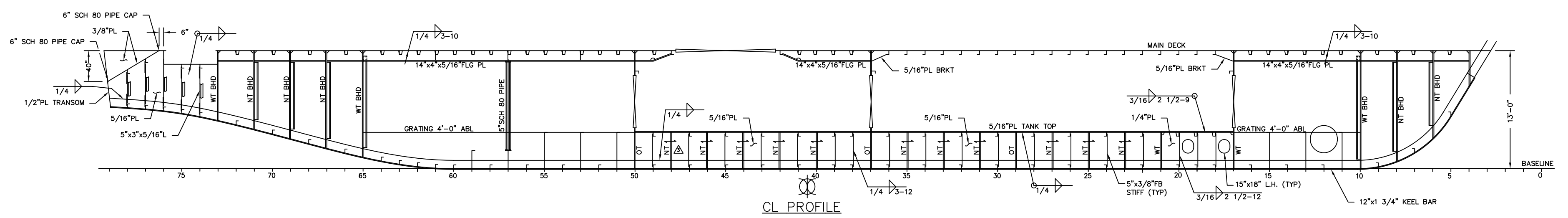
B

B

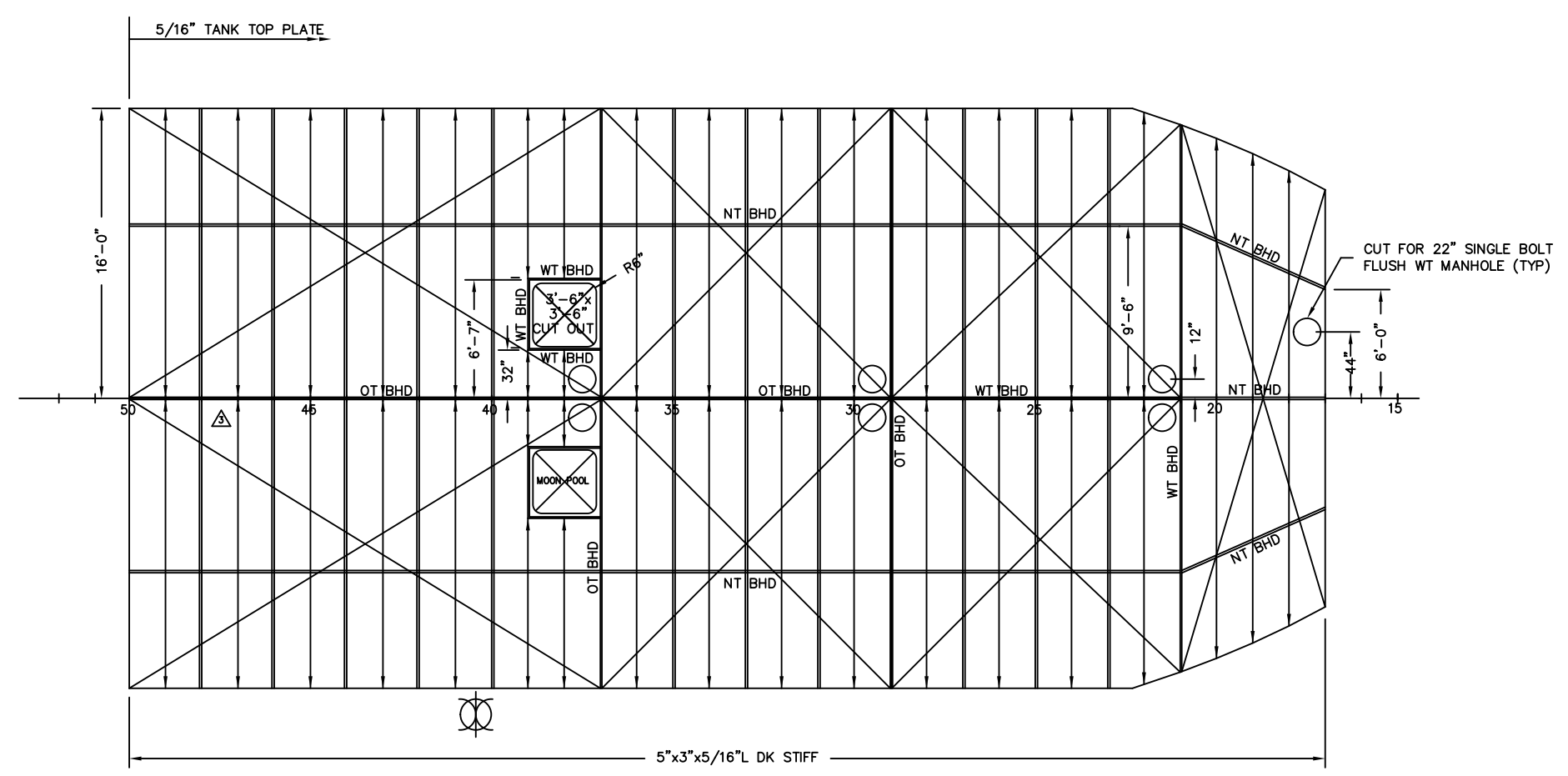
A

A

6 5 4 3 2 1

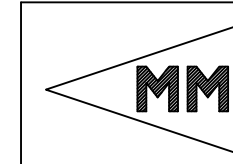


CL PROFILE



TANK TOP SCANTLINGS

MOLDED HGT=4'-0" ABL ● CL
4'-0 1/2" ABL ● 16'-0" OFF CL



SCALE: 3/16"=1'-0"	CONTRACT NO: S-185-32
MARINE MANAGEMENT INC.	
MARINE DESIGNERS and SURVEYORS	
P.O. Box: 1803 Ocean Springs, MS 39566-1803	
Ph: 601-872-2846 Fax: 601-872-0606 Online: MMinc25@aol.com	
DWG. NO: S-185-S1	SHT: 2 OF 2

S-185-S1 SHT20F2 REV4