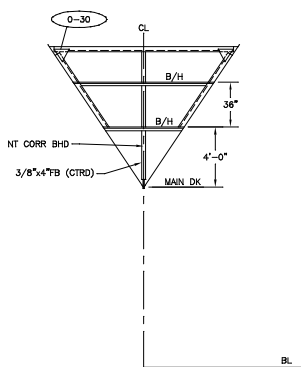
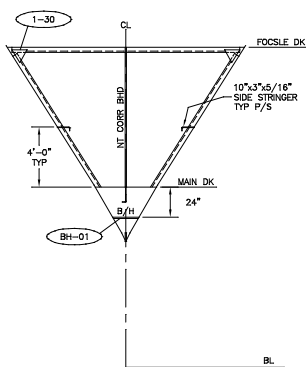


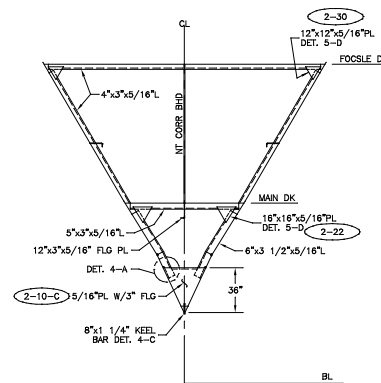
FRAME A



FRAME 0
FOR INFO NOT SHOWN SEE FR 2



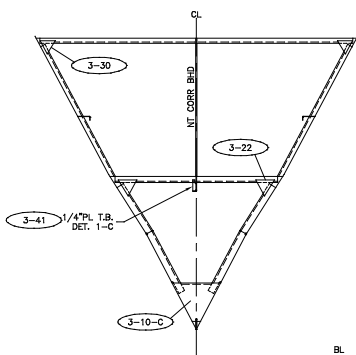
FRAME 1
FOR INFO NOT SHOWN SEE FR 2



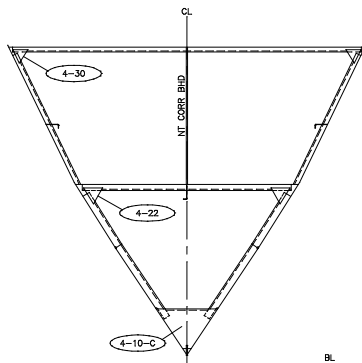
FRAME 2

GENERAL NOTES

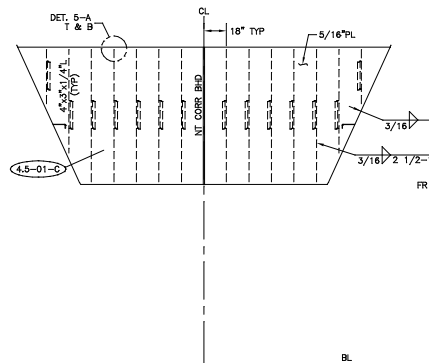
1. ALL FRAMES ARE VIEWED LOOKING AFT.
2. ALL FLANGES OF STEEL OR GIRDERS ARE TO BE SHIPPED WHEN ENDS CONNECT TO BHDS, DECKS OR SHELL.
3. ALL SNIPES TO BE 1/2\"/>



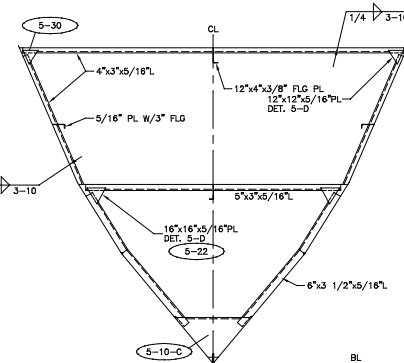
FRAME 3
FOR INFO NOT SHOWN SEE FR 2



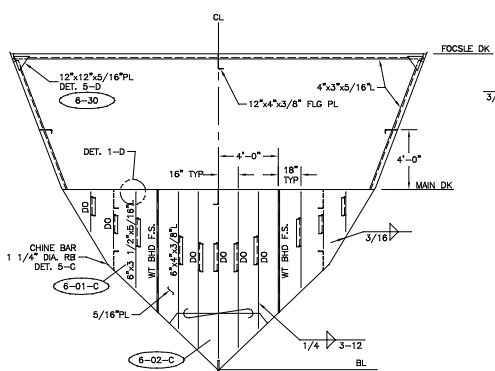
FRAME 4
FOR INFO NOT SHOWN SEE FR 2



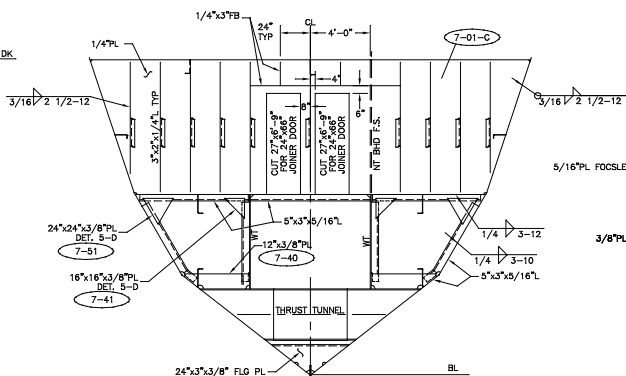
12 AFT FRAME 4
WT COLLISION BHD
FOR INFO NOT SHOWN SEE FR 2



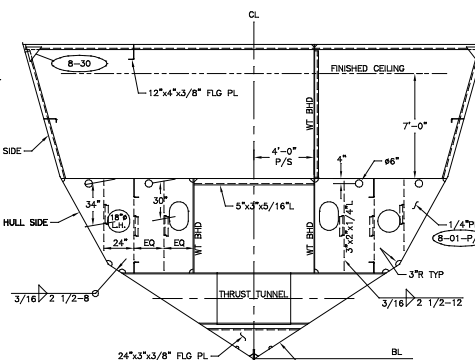
FRAME 5
FOR INFO NOT SHOWN SEE FR 2



FRAME 6
WT BHD BELOW MAIN DECK



FRAME 7



FRAME 8

REV.	DESCRIPTION	DATE	BY
REVISIONS			
MASTER BOAT BUILDERS, INC.			
P.O. Box 702 Boyou LaBatre, AL 36509			
150'-0" x 36'-0" x 12'-0"			
OSV			
Drawn By: C. BRAUN	Approved By:	Scale: 1/4"=1'-0"	
Sheet No: 354		Date: 5-15-02	
FRAMES A THRU 8			
Sheet: 1 of 1	Drawing Number: 1		Rev: 0