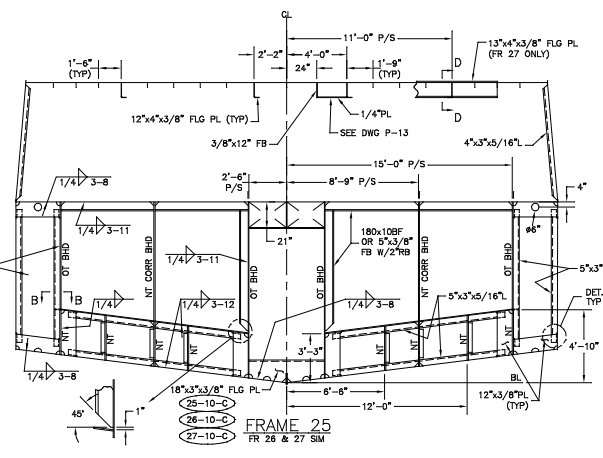
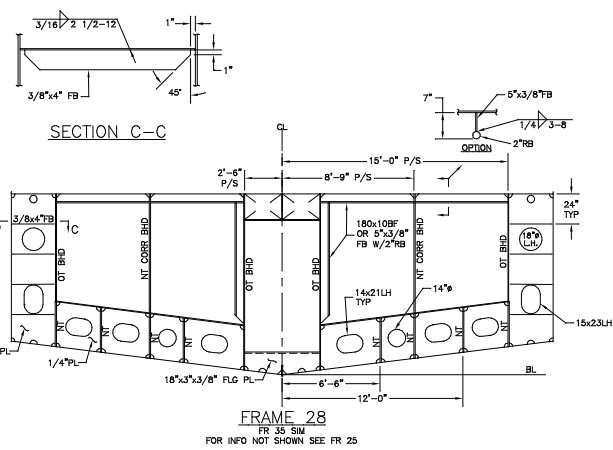


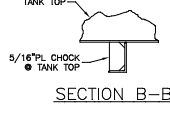
FRAME 24



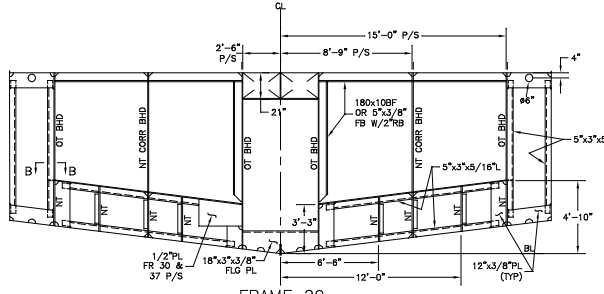
FRAME 25



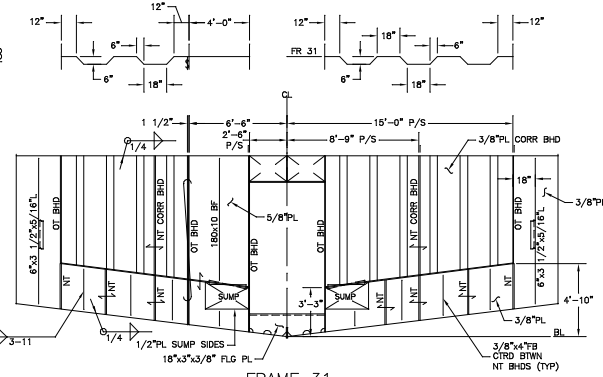
FRAME 28



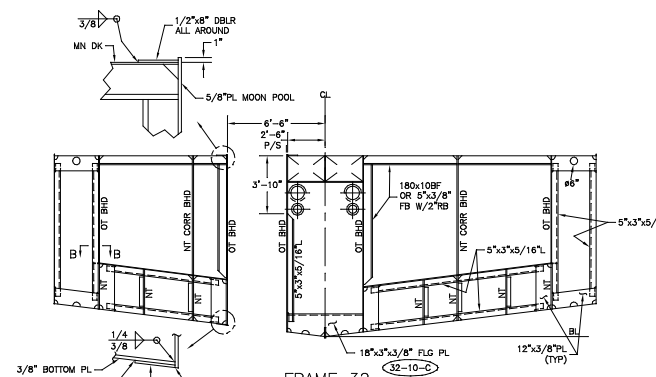
SECTION B-B



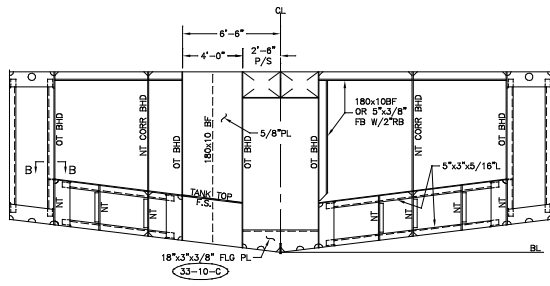
FRAME 29



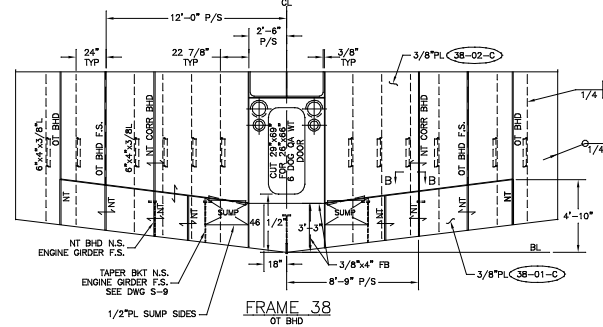
FRAME 31



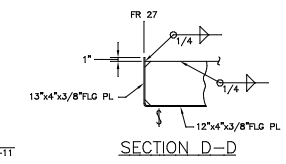
FRAME 32



FRAME 33



FRAME 38



SECTION D-D

GENERAL NOTES

1. ALL FRAMES ARE VIEWED LOOKING AFT.
2. ALL FLANGES OF STIFF- OR GIRDERS ARE TO BE SNIPPED WHEN ENDS CONNECT TO BHDS, DECKS OR SHELL.
3. ALL SNIPES TO BE 1/2\"/>

REV.	DESCRIPTION	DATE	BY
REVISIONS			
MASTER BOAT BUILDERS, INC.			
P.O. Box 702		Bozouy LaBatre, AL 36509	
150'-0" x 36'-0" x 12'-0"			
OSV			
Drawn By: C. BRAUN	Approved By:	Scale: 1/4"=1'-0"	
Mail No.: 354		Date: 5-29-02	
FRAMES 24 THRU 38			
Sheet: 1 of 1	Drawing Number:	S-2C	
computer detailing by ConCAD Computer Drafting Services, VANLEAVE, MS - (238)828-3516	Contract No.		