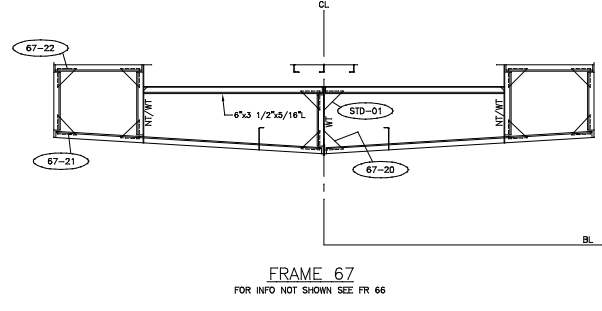
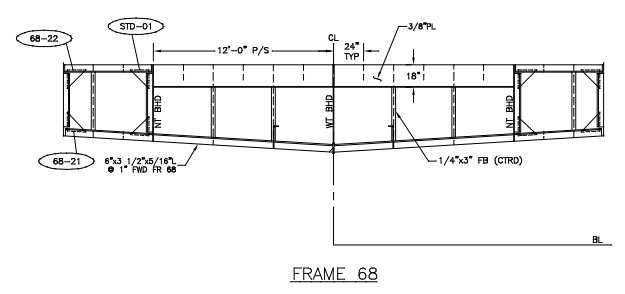


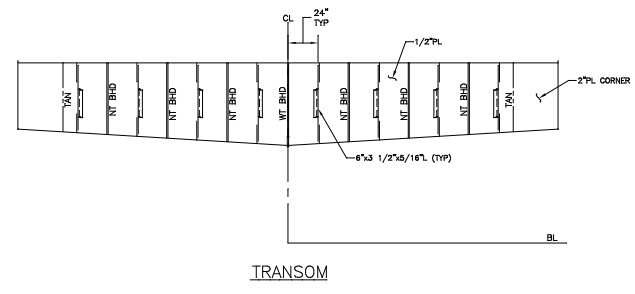
FRAME 66



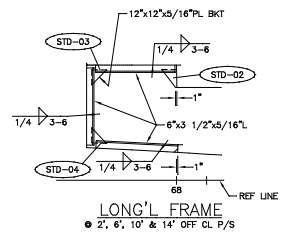
FRAME 67
FOR INFO NOT SHOWN SEE FR 66



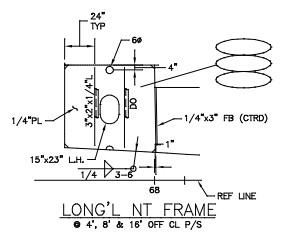
FRAME 68



TRANSOM



LONG'L FRAME
● 2', 6', 10' & 14' OFF CL P/S



LONG'L NT FRAME
● 4', 8' & 16' OFF CL P/S

GENERAL NOTES

1. ALL FRAMES ARE VIEWED LOOKING AFT.
2. ALL FLANGES OF STEEL OR GRIDDERS ARE TO BE SNIPPED WHEN ENDS CONNECT TO BHDS, DECKS OR SHELL.
3. ALL SNIPES TO BE 1/2" x 1/2" UNLESS NOTED OTHERWISE.
4. ALL VENT DRAIN HOLES TO BE 3" RADIUS.
5. FOR REFERENCE TO STRUCTURAL DETAILS SEE DRAWING S-10.
6. MAIN DECK DESIGNED FOR 200LBS/FT² LOADING FROM FRAME 24 FWD AND 540LBS/FT² FROM FRAME 24 AFT.
7. UNBRACKETED STIFFENERS OF SHELL, WT OR GT BHDS AND HOUSE FRONTS ARE TO HAVE DOUBLE CONTINUOUS WELDS FOR 1/10 OF THEIR LENGTH AT EACH END.
8. UNBRACKETED STIFFENERS OF MOUNTING STRUCTURAL BHDS, DK HOUSE SIDES AND AFTER ENDS ARE TO HAVE A PAIR OF MATCHED INTERMITTENT WELDS AT EACH END.
9. ALL LIGHTING HOLES ARE CENTERED BETWEEN FRAMES UNLESS NOTED OTHERWISE.

REV.	DESCRIPTION	DATE	BY
REVISIONS			
MASTER BOAT BUILDERS, INC.			
P.O. Box 702		Bayou LaBatre, AL 36509	
150'-0" x 36'-0" x 12'-0"			
OSV			
Drawn By : C. BRAUN	Approved By :	Scale : 1/4" = 1'-0"	
Full No. 354		Date : 5-27-02	
FRAMES 66 THRU TRANSOM			
Sheet : 1 of 1	Drawing Number :	S-2F	
Contract No.			Rev. 0