

FRAME 4
NT BHD

FRAME 5

FRAME 6
NT BHD

FRAME 7

FRAME 8
NT BHD

FRAME 9

FRAME 10
WT BHD

FRAME 11

FRAME 12

FRAME 13

FRAME 14

FRAME 15
FOR INFO NOT SHOWN SEE FR 13

FRAME 16
FOR INFO NOT SHOWN SEE FR 14

DETAIL 1
CHINE BRACKET DETAIL
SCALE: NONE

DETAIL 2
WT/OT BHD STIFF BRACKET
SCALE: NONE

DETAIL 3
TYPICAL BRACKET
SCALE: NONE

DETAIL 4
CHINE BAR DETAIL
SCALE: NONE

DETAIL 5
KEEL BAR CONNECTION
SCALE: NONE

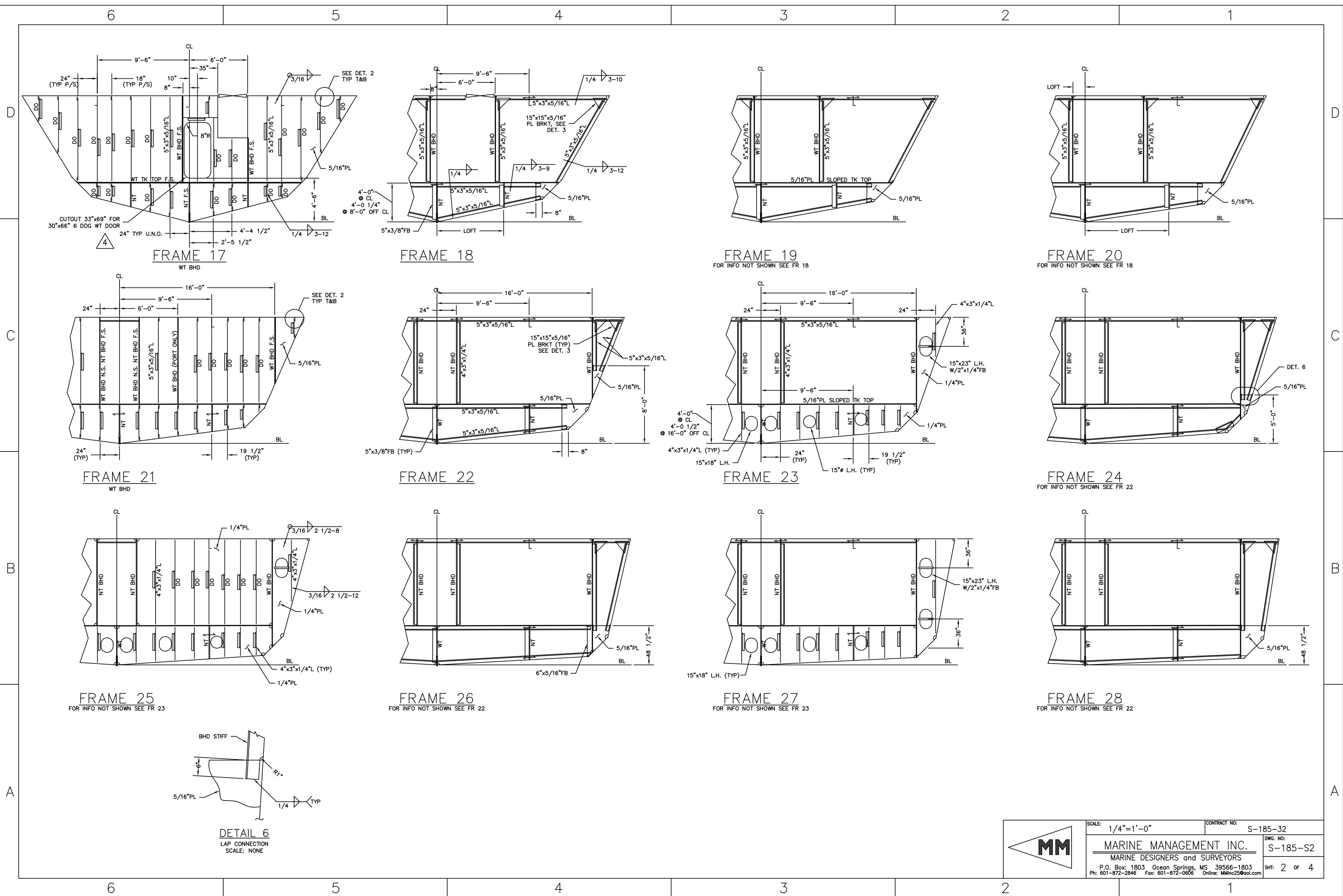
GENERAL NOTES

1. ALL FLANGES OF STIFF, OR GIRDERS ARE TO BE SNIPPED WHEN ENDS CONNECT TO BHDS, DECKS OR SHELL.
2. ALL SNIPES TO BE 1 1/2"x1 1/2" UNLESS NOTED.
3. ALL VENT DRAIN HOLES TO BE 3" RADIUS.
4. UNBRACKETED STIFFENERS OF SHELL, WT OR OT BHDS & HOUSE FRONTS ARE TO HAVE DOUBLE CONTINUOUS WELDS FOR 1/10 OF THEIR LENGTH AT EACH END.
5. UNBRACKETED STIFFENERS OF NONTIGHT STRUCTURAL BHDS, DK HOUSE SIDES AND AFTER ENDS ARE TO HAVE A PAIR OF MATCHED INTERMITTENT WELDS AT EACH END.
6. ALL BRACKETS TO BE WELDED DBL. CONT.
7. ALL FRAMES ARE VIEWED LOOKING AFT.

| | | | |
|--|------------|---------------|----------|
| DRWN BY: | C.B. | DATE: | 5-28-98 |
| CHECKED BY: | | DATE: | |
| APPROVED BY: | | DATE: | |
| SCALE: | 1/4"=1'-0" | CONTRACT NO.: | S-185-32 |
| <small>This drawing and its contents, specifications and design concept are proprietary information and may not be wholly or partially reproduced, transferred or used for manufacture without written consent from: MARINE MANAGEMENT INCORPORATED OR ROBERT L. PAYNE. Copyright 1998</small> | | | |
| DWG. NO.: | S-185-S2 | | |

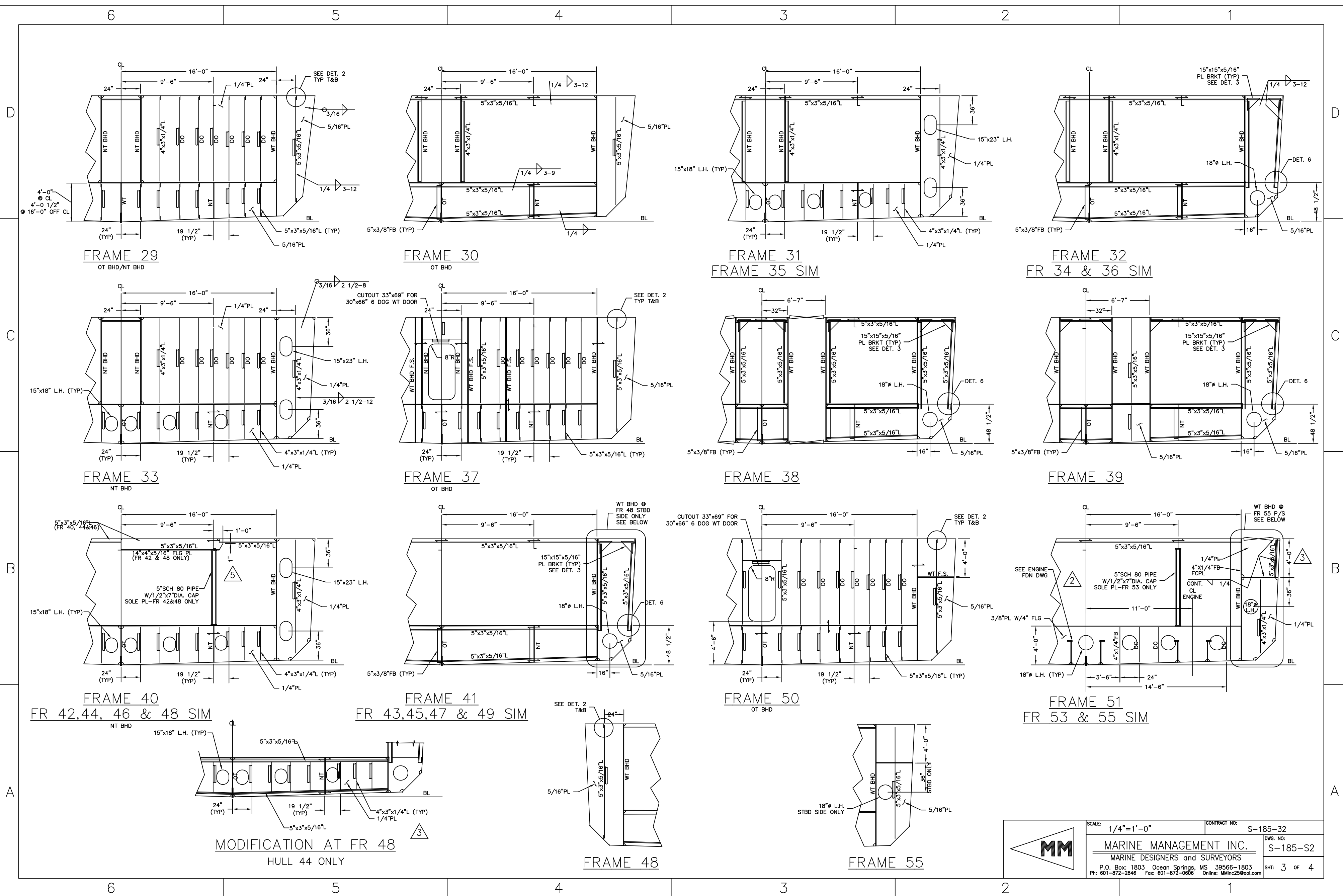
| | | |
|--|--|-------------|
| 4 | ADDED CONSTRUCTION NOTES AND MODS. | 2/22/99 RLP |
| 3 | ADDED TONNAGE WEBS AND FIXED UPTAKE AREA IN E.R. | RLP |
| 2 | REVISED PER DESIGN DEVELOPMENT. | 11/4/98 RLP |
| 1 | ISSUED FOR CONSTRUCTION | 7/11/98 RLP |
| NO. | ALTERATIONS | BY/DATE |
| TITLE: 160'-0" x 40'-0" x 13'-0" RESEARCH VESSEL FRAMES PREPARED FOR: CAMERON OFFSHORE BOATS, INC. CAMERON, LOUISIANA MARINE MANAGEMENT INC. MARINE DESIGNERS and SURVEYORS P.O. Box: 1803 Ocean Springs, MS 39566-1803 Ph: 601-872-2846 Fax: 601-872-0606 Online: MMinc25@aol.com | | |
| SHT: | 1 | |
| OF: | 4 | |
| ALT. NO.: | 4 | |

S-185-S2 REV.4



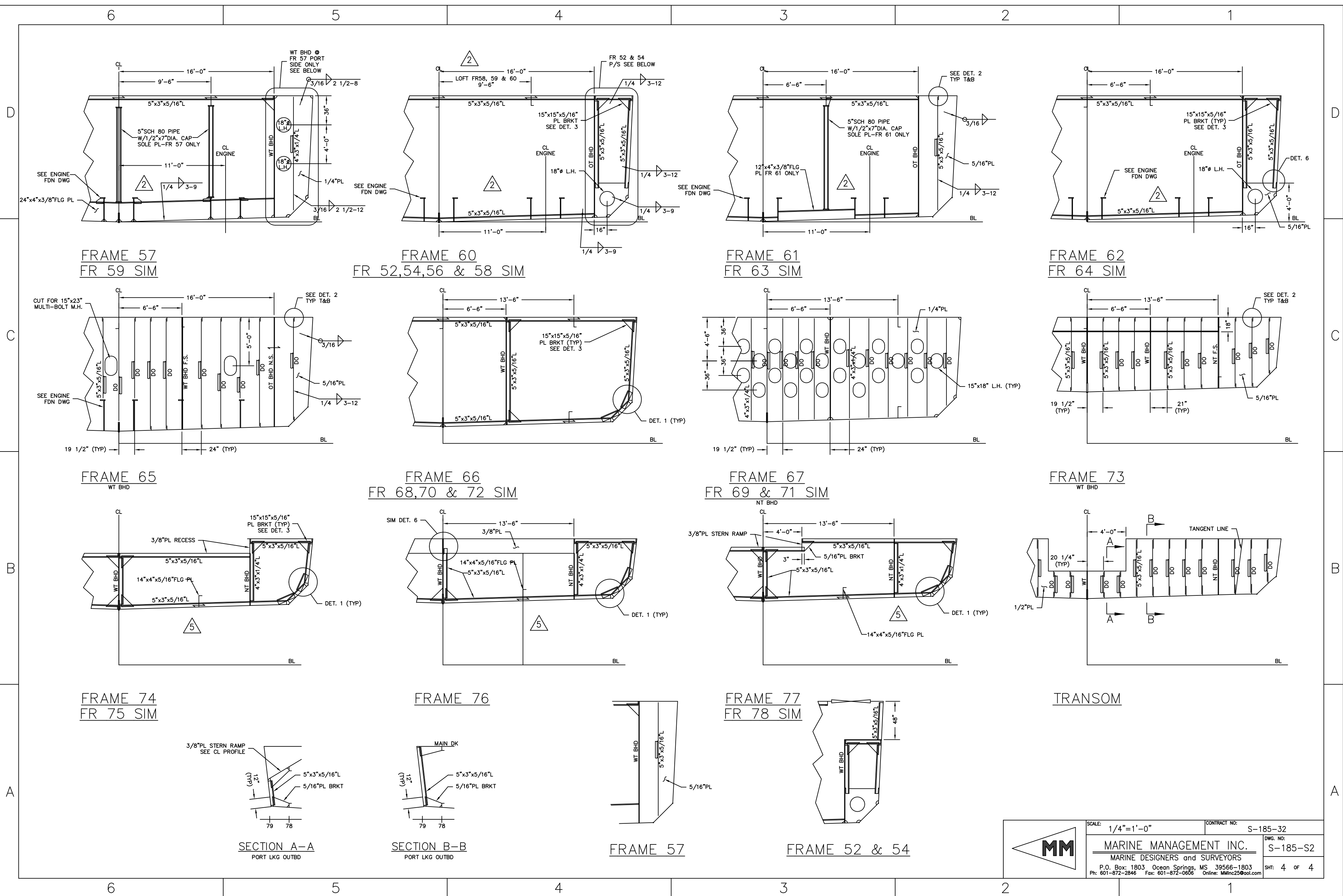
| | | |
|---|---|-----------------------|
|  | SCALE: 1/4"=1'-0" | CONTRACT NO: S-185-32 |
| | MARINE MANAGEMENT INC. | |
| | MARINE DESIGNERS and SURVEYORS | |
| | P.O. Box: 1803 Ocean Springs, MS 39566-1803 Ph: 601-872-2846 Fax: 601-872-0606 Online: MMinc25@aol.com | |
| | DWG. NO: S-185-S2 | SHT: 2 OF 4 |

S-185-S2 SHT20F4 REV.4



| | | |
|--|---|-----------------------|
| | SCALE: 1/4" = 1'-0" | CONTRACT NO: S-185-32 |
| | MARINE MANAGEMENT INC. | |
| | MARINE DESIGNERS and SURVEYORS | |
| | P.O. Box: 1803 Ocean Springs, MS 39566-1803 | |
| | DWG. NO: S-185-S2 | SH: 3 OF 4 |
| | P. 601-872-2846 Fax: 601-872-0606 Online: MMinc25@aol.com | |

S-185-S2 SHT30F4 REV.4



FRAME 57
FR 59 SIM

FRAME 60
FR 52,54,56 & 58 SIM

FRAME 61
FR 63 SIM

FRAME 62
FR 64 SIM

FRAME 65
WT BHD

FRAME 66
FR 68,70 & 72 SIM

FRAME 67
FR 69 & 71 SIM

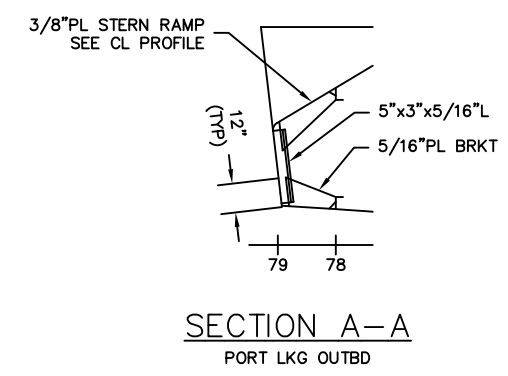
FRAME 73
WT BHD

FRAME 74
FR 75 SIM

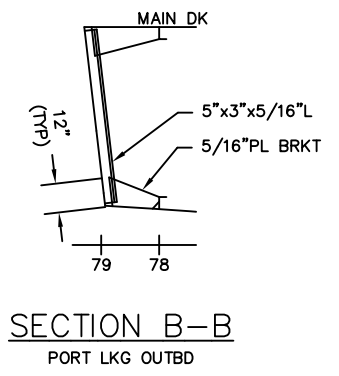
FRAME 76

FRAME 77
FR 78 SIM

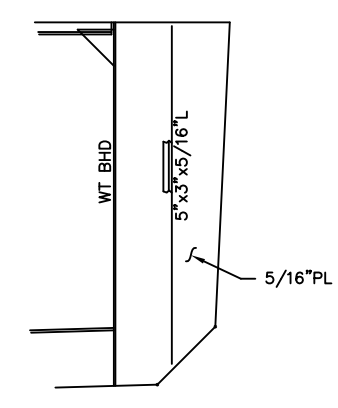
TRANSOM



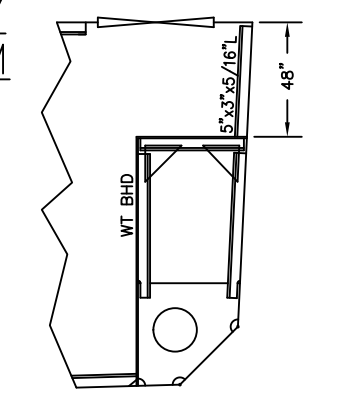
SECTION A-A
PORT LKG OUTBD



SECTION B-B
PORT LKG OUTBD



FRAME 57



FRAME 52 & 54

| | | |
|--|---|-----------------------|
| | SCALE: 1/4"=1'-0" | CONTRACT NO: S-185-32 |
| | MARINE MANAGEMENT INC. | |
| | MARINE DESIGNERS and SURVEYORS | |
| | P.O. Box: 1803 Ocean Springs, MS 39566-1803 | |
| Ph: 601-872-2846 Fax: 601-872-0606 Online: MMinc25@aol.com | | DWG. NO: S-185-S2 |
| | | SHT: 4 OF 4 |