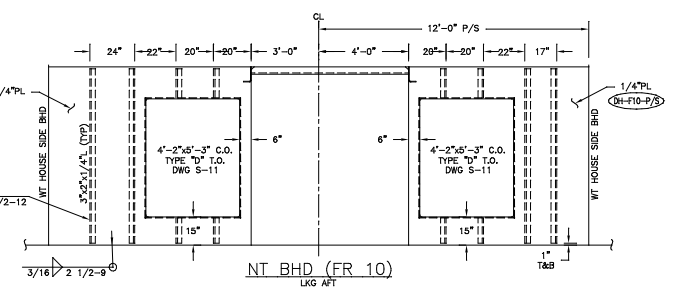
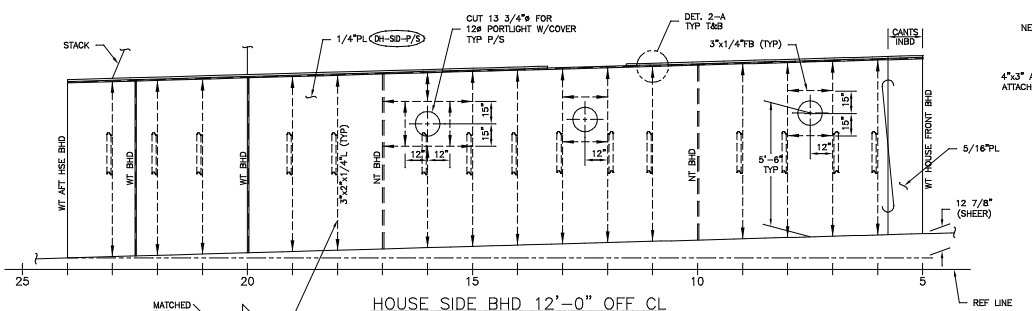


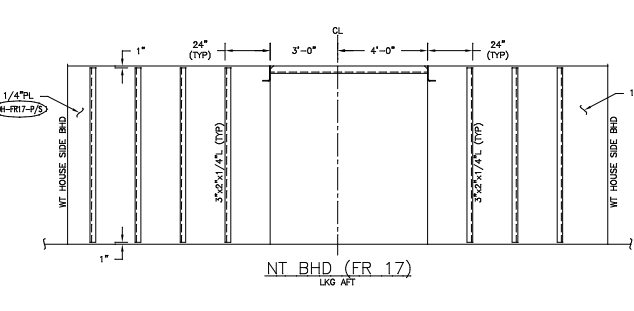
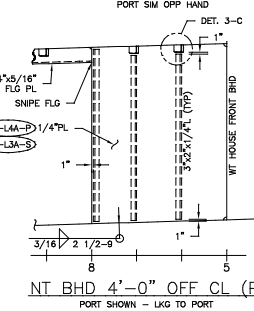
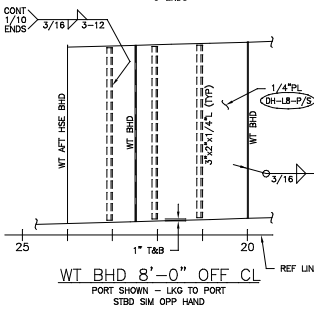
FOCSLE DK HOUSE TOP

HOUSE AFT BHD (FR 24)



HOUSE SIDE BHD 12'-0" OFF CL

NT BHD (FR 10)



WT BHD 8'-0" OFF CL

NT BHD 4'-0" OFF CL (P)

NT BHD (FR 17)

WINDOW SCHEDULE

- (A) WYND. IND. OR EQUAL ALUM GLAZ-IN FRAME W/3/8" CLEAR SAFETY GLASS.

GENERAL NOTES

- ALL FLANGES OF STIFF. OR ORDERS ARE TO BE SNIPED WHEN ENDS CONNECT TO BHDS, DECKS OR SHELL.
- ALL SNIPES TO BE 1/2" x 1/2" UNLESS NOTED OTHERWISE.
- ALL VENT DRAIN HOLES TO BE 3" RADIIUS.
- FOR REFERENCE TO STRUCTURAL DETAILS SEE DRAWING S-10.
- UNBRACKETED STIFFENERS OF SHELL WT OR OT BHDS AND HOUSE FRONTS ARE TO HAVE DOUBLE CONTINUOUS WELDS FOR 1/10 OF THEIR LENGTH AT EACH END.
- UNBRACKETED STIFFENERS OF NONIGHT STRUCTURAL BHDS, DK HOUSE SIDES AND AFTER ENDS ARE TO HAVE A PAIR OF MATCHED INTERMITTENT WELDS AT EACH END.
- THE UPPER AND LOWER END OF ALL BULKHEAD STIFFENERS OF THE TIER ON THE FORECASTLE DECK ARE TO BE ATTACHED.

REV.	DESCRIPTION	DATE	BY
1	1. CORRECTED LOFTED PIECE MARKS THROUGHOUT.	1-8-03	CB
REVISIONS			
MASTER BOAT BUILDERS, INC.			
P.O. Box 702		Boyau Labarre, AL 36509	
150'-0" x 36'-0" x 12'-0" OSV			
Drawn by: C.B.	Approved by:	Scale: 3/8"=1'-0"	
Plot No. 354		Date: 7-13-02	
FOCSLE DK HOUSE STRUCTURE			
Sheet 1 of 1	Quantity Number:	S-5	