

- GENERAL NOTES**
1. ALL FLANGES OF STIFF. OR GIRDERS ARE TO BE SNIPED WHEN ENDS CONNECT TO BHDS, DECKS OR SHELL.
 2. ALL SNIPES TO BE 1 1/2"x1 1/2" UNLESS NOTED.
 3. ALL VENT DRAIN HOLES TO BE 3" RADIUS.
 4. UNBRACKETED STIFFENERS OF SHELL, WT OR OT BHDS & HOUSE FRONTS ARE TO HAVE DOUBLE CONTINUOUS WELDS FOR 1/10 OF THEIR LENGTH AT EACH END.
 5. UNBRACKETED STIFFENERS OF NONTIGHT STRUCTURAL BHDS, DK HOUSE SIDES AND AFTER ENDS ARE TO HAVE A PAIR OF MATCHED INTERMITTENT WELDS AT EACH END.
 6. ALL BRACKETS TO BE WELDED DBL. CONT.
 7. ALL FRAMES ARE VIEWED LOOKING AFT UNLESS NOTED.

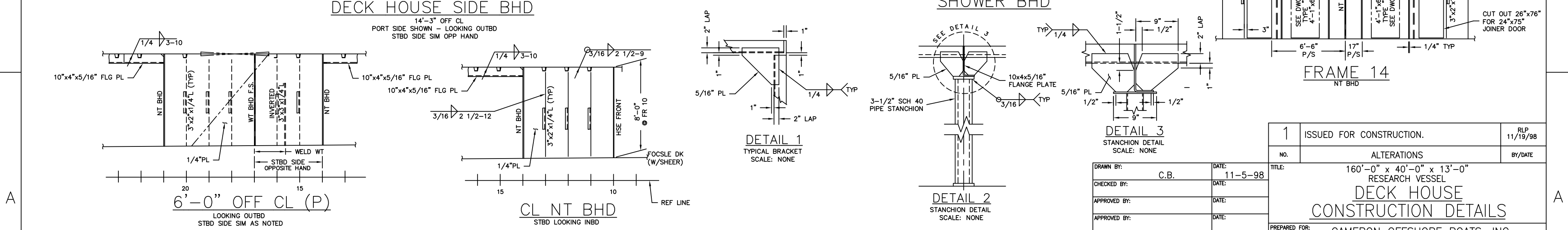
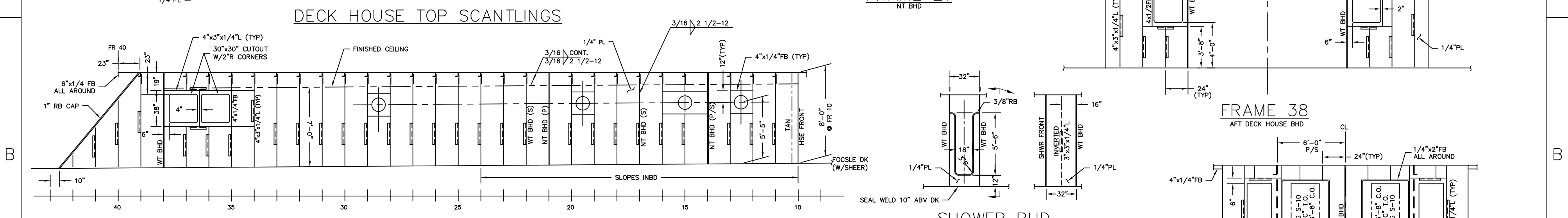


TABLE OF FRAME OFFSETS
HALF-BREADTHS ABOUT CENTERLINE (FT-IN-1/8TH)

FRAME	11	12	13	14	15	16	17	18	19
DECK HOUSE TOP	9-3-0	10-1-4	10-11-0	11-7-5	12-3-2	12-10-1	13-4-1	13-9-2	14-1-5

1	ISSUED FOR CONSTRUCTION.	RLP
NO.	ALTERATIONS	BY/DATE
TITLE:	160'-0" x 40'-0" x 13'-0" RESEARCH VESSEL	
	DECK HOUSE CONSTRUCTION DETAILS	
PREPARED FOR:	CAMERON OFFSHORE BOATS, INC. CAMERON, LOUISIANA	
	MARINE MANAGEMENT INC.	SHT: 1
	MARINE DESIGNERS AND SURVEYORS	OF: 1
P.O. Box: 1803 Ocean Springs, MS 39566-1803		ALT NO: 1
Ph: 601-872-2846 Fax: 601-872-0606 Online: MMinc25@aol.com		

DRAWN BY: C.B. DATE: 11-5-98
 CHECKED BY: DATE:
 APPROVED BY: DATE:
 SCALE: 1/4"=1'-0" CONTRACT NO: S-185-32
 Dwg. No: S-185-S5

This drawing and its contents, specifications and design concept are proprietary information and may not be wholly or partially reproduced, transferred or used for manufacture without written consent from: MARINE MANAGEMENT INCORPORATED OR ROBERT L. PAYNE. Copyright 1998

