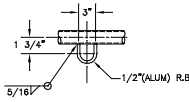
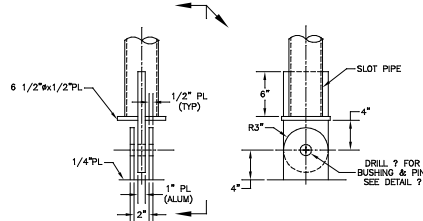


GENERAL NOTES

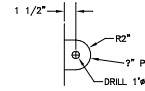
1. ALL WELDING TO BE IN ACCORDANCE WITH ABS RULES.
2. ALL MATERIAL TO BE STEEL UNLESS OTHERWISE NOTED.



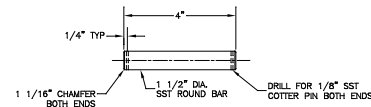
DETAIL 1
YARD ARM STAPLE
SCALE: 1 1/2"=1'-0"



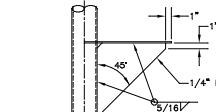
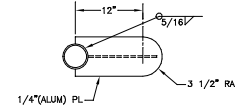
DETAIL 2
PADEYE AT BASE OF AFT MAST
SCALE: 1 1/2"=1'-0"



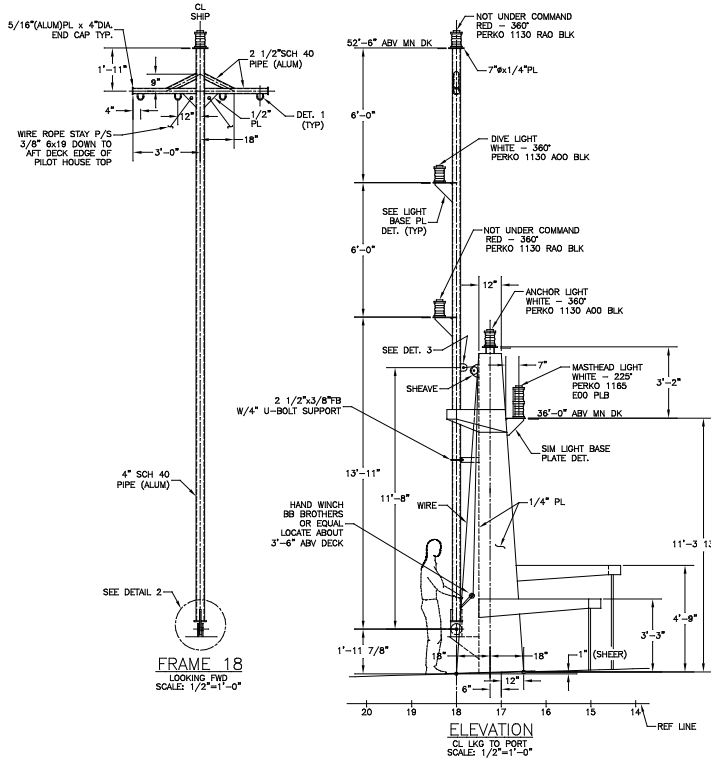
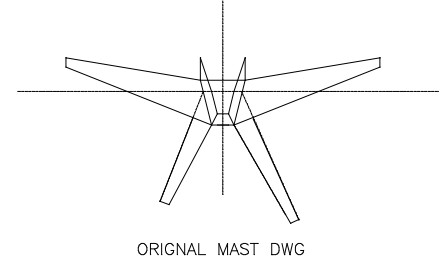
DETAIL 3
PADEYE ON AFT MAST
SCALE: 1 1/2"=1'-0"



PIN DETAIL
SCALE: NONE

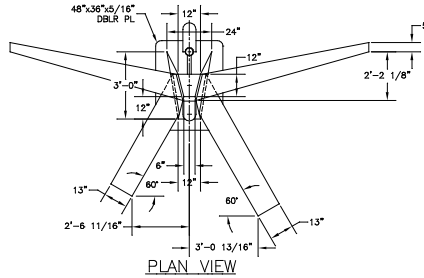


LIGHT BASE PLATE DETAIL
SCALE: 1 1/2"=1'-0"

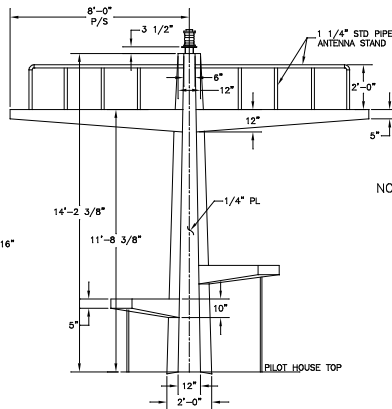


FRAME 18
LOOKING FWD
SCALE: 1/2"=1'-0"

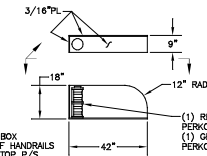
ELEVATION
CL. LK TO PORT
SCALE: 1/2"=1'-0"



PLAN VIEW



FRAME 16 1/2
LOOKING AFT
SCALE: 1/2"=1'-0"



NOTE: WELD SIDE LIGHT BOX TO OUTSIDE OF HANDRAILS ON PILOT HOUSE TOP P/S. LOCATE LIGHT AFT 6" FWD OF FRAME 18.

SIDE LIGHT BOX DETAIL
SCALE: 1/2"=1'-0"

REV.	DESCRIPTION	DATE	BY
MASTER BOAT BUILDERS, INC.			
P.O. Box 702		Spain, Alabama, AL 36609	
150'-0" x 36'-0" x 12'-0"			
OSV			
Drawn by: CONRAD	Checked by: []	Drawn by: []	Checked by: []
Scale: 3/4"		Scale: 1/2"=1'-0"	Scale: 1/2"=1'-0"
MAST ARRANGEMENT & DETAILS			
Sheet: 1 of 1	Sheet Number: 1	S-8	0