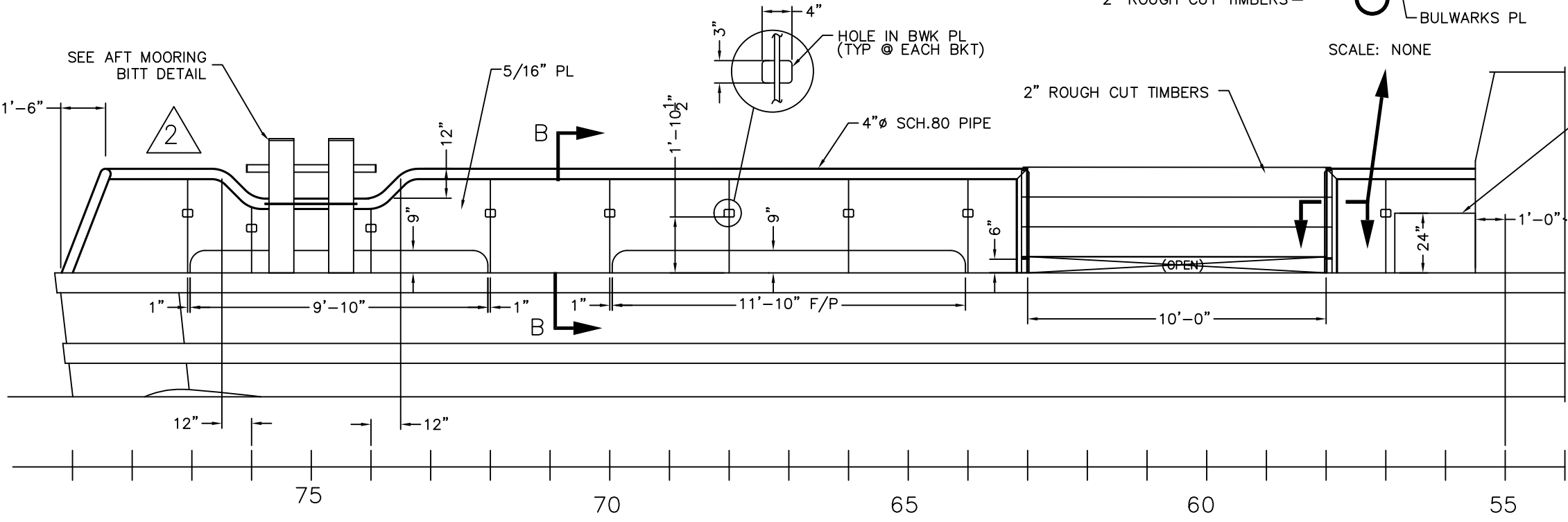
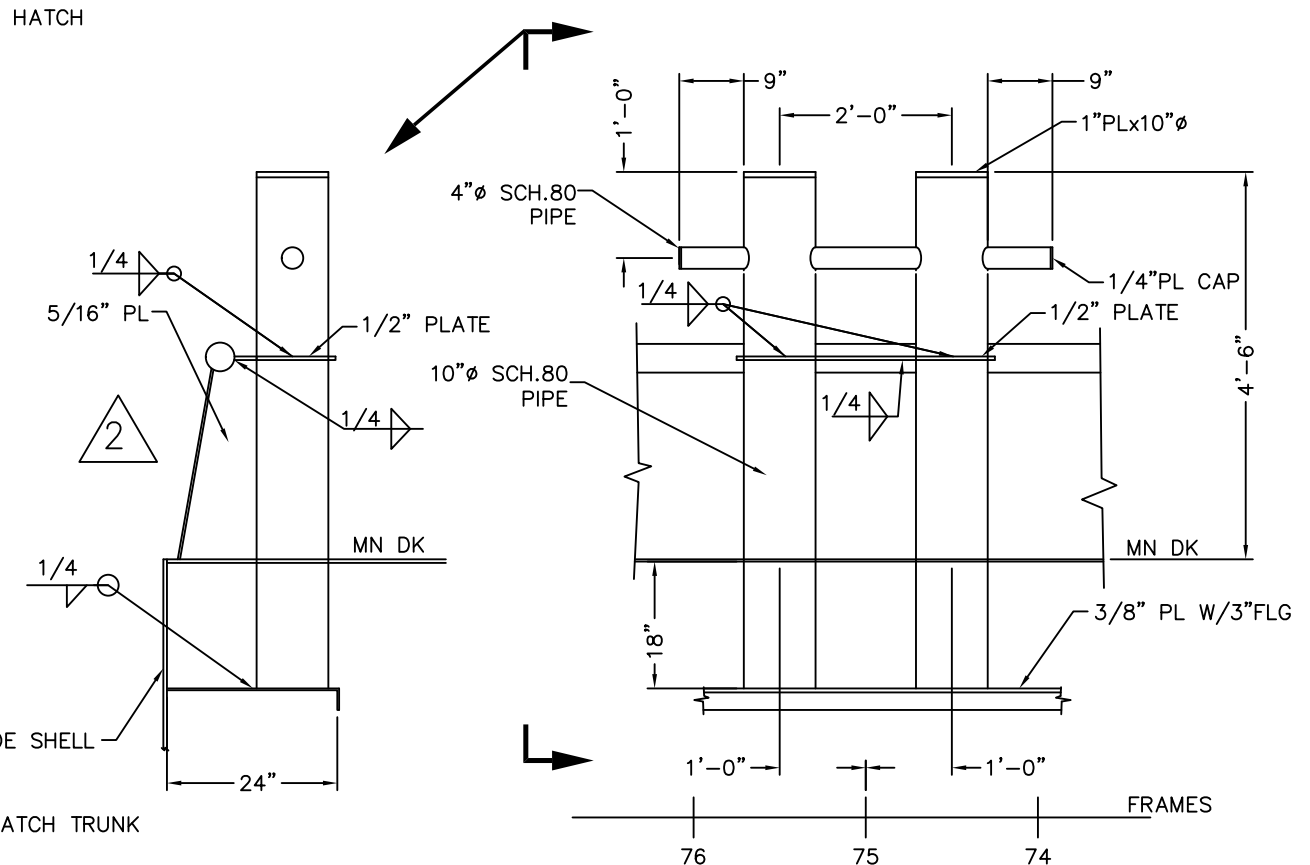


**MAIN DECK BULWARKS PLAN**  
SCALE 3/8" = 1'-0"

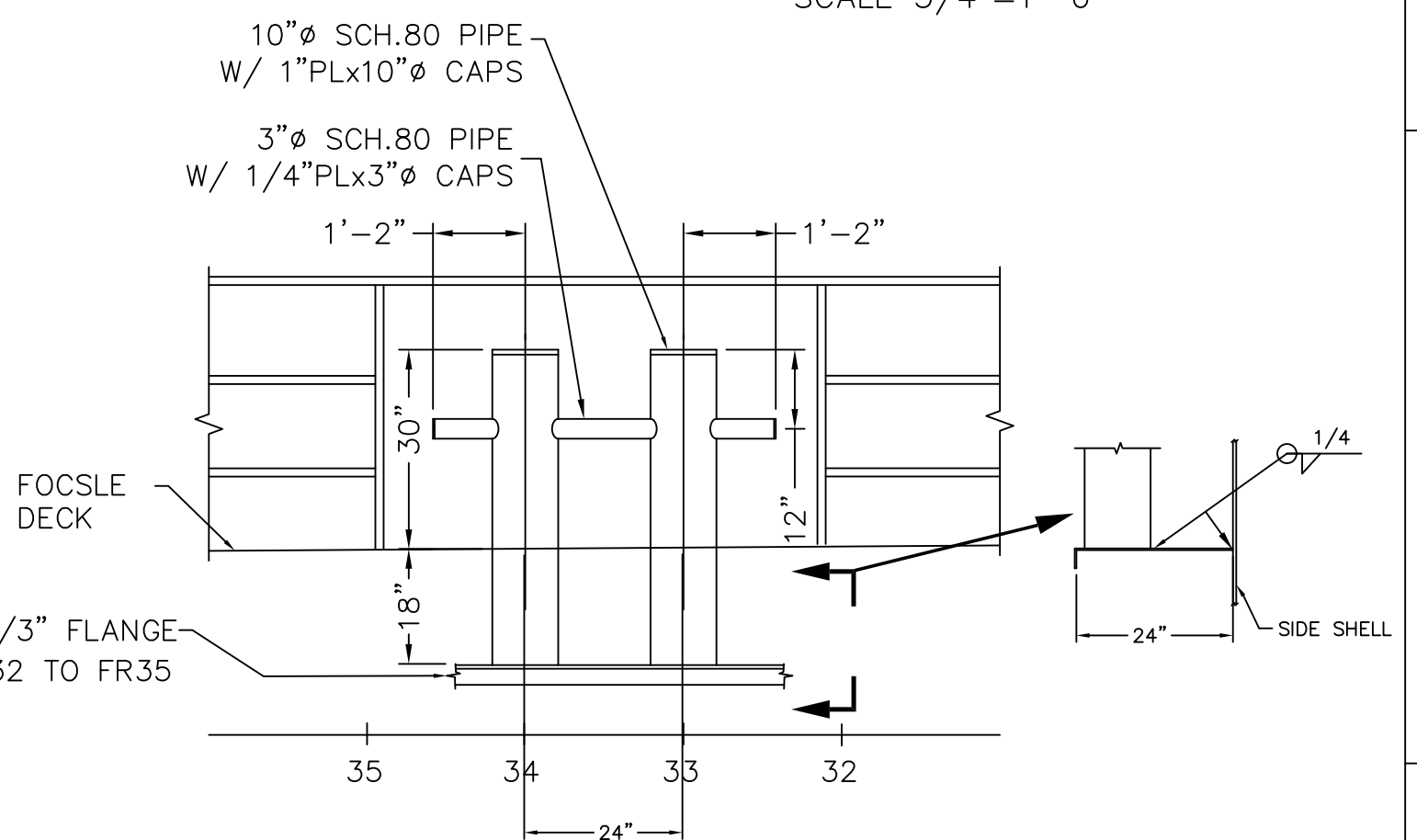
**FREERING PORT AREA**  
MINIMUM REQUIRED FREERING PORT AREA = 19.68 SQ. FT PER SIDE  
ACTUAL FREERING PORT AREA PER SIDE = 20.71 SQ. FT. PER SIDE  
(ACTUAL FREERING PORT AREA SHONW ABOVE DOES NOT INCLUDE OPEN STERN AREA.)



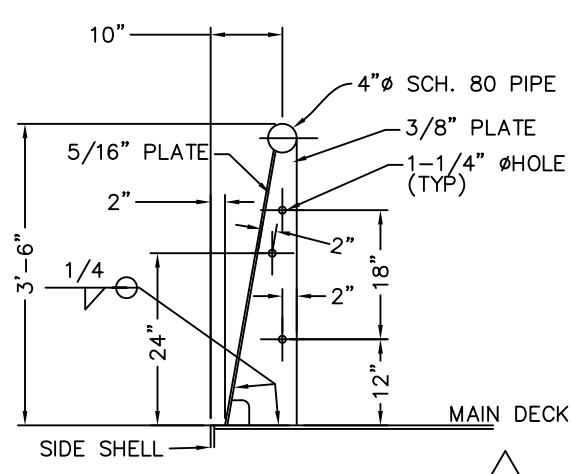
**MAIN DECK BULWARKS ELEVATION**  
SCALE 3/8" = 1'-0"



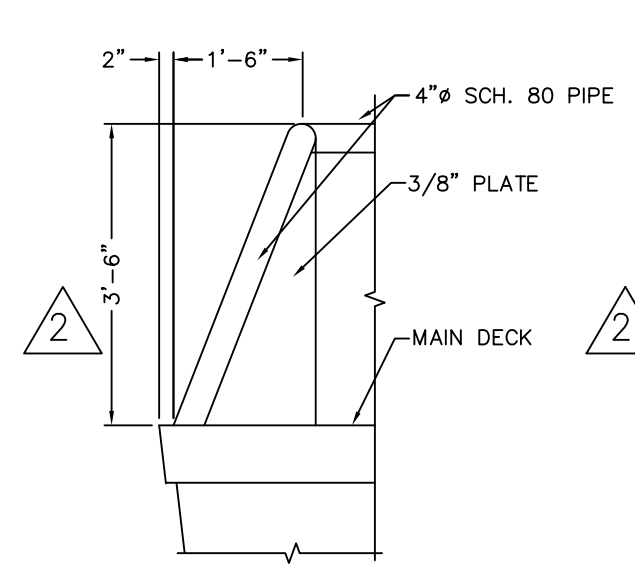
**AFT MOORING BITT DETAIL P/S**  
LOOKING OUTBOARD  
SCALE 3/4" = 1'-0"



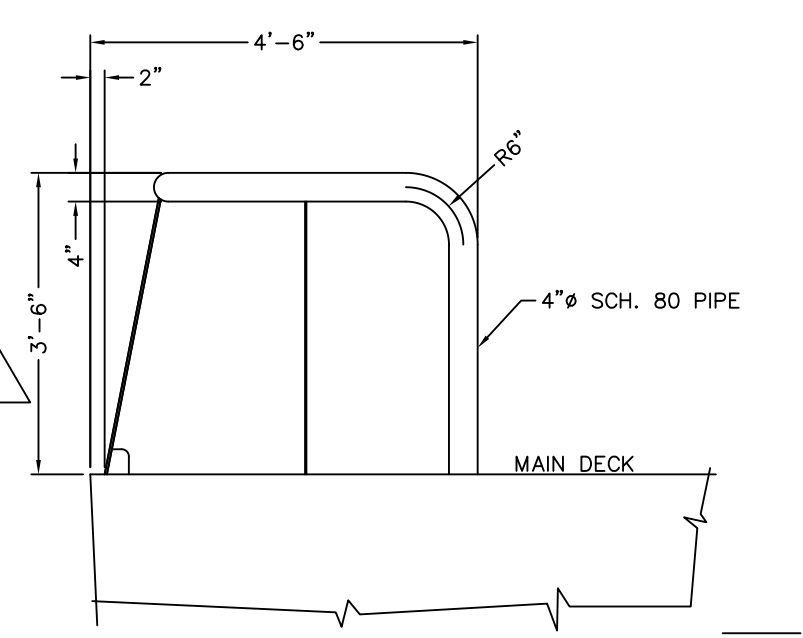
**MIDSHIPS MOORING BITT DETAIL**  
TYP PORT & STARBOARD  
PORT SIDE SHOWN LOOKING OUTBOARD  
SCALE 3/4" = 1'-0"



**SECTION F-F**  
SCALE 3/4" = 1'-0"



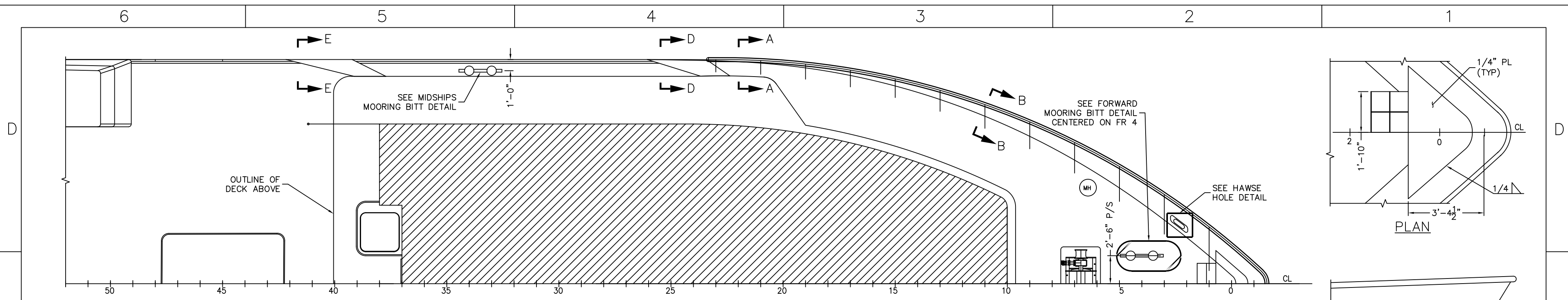
**SECTION G-G**  
SCALE 3/4" = 1'-0"



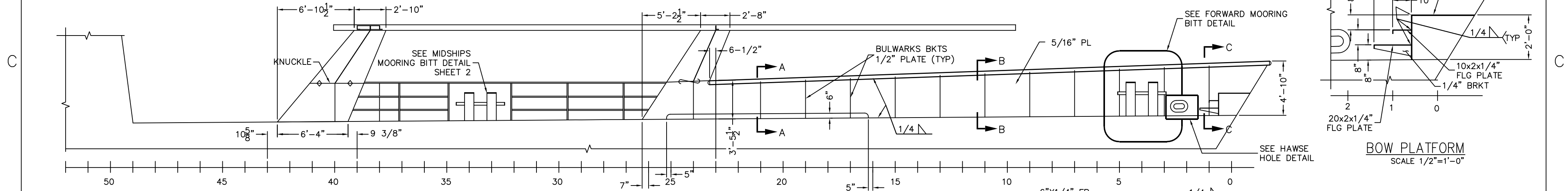
**ELEVATION AT TRANSOM**  
LOOKING FORWARD  
SCALE 3/4" = 1'-0"

3/8" PL W/3" FLANGE  
FR32 TO FR35

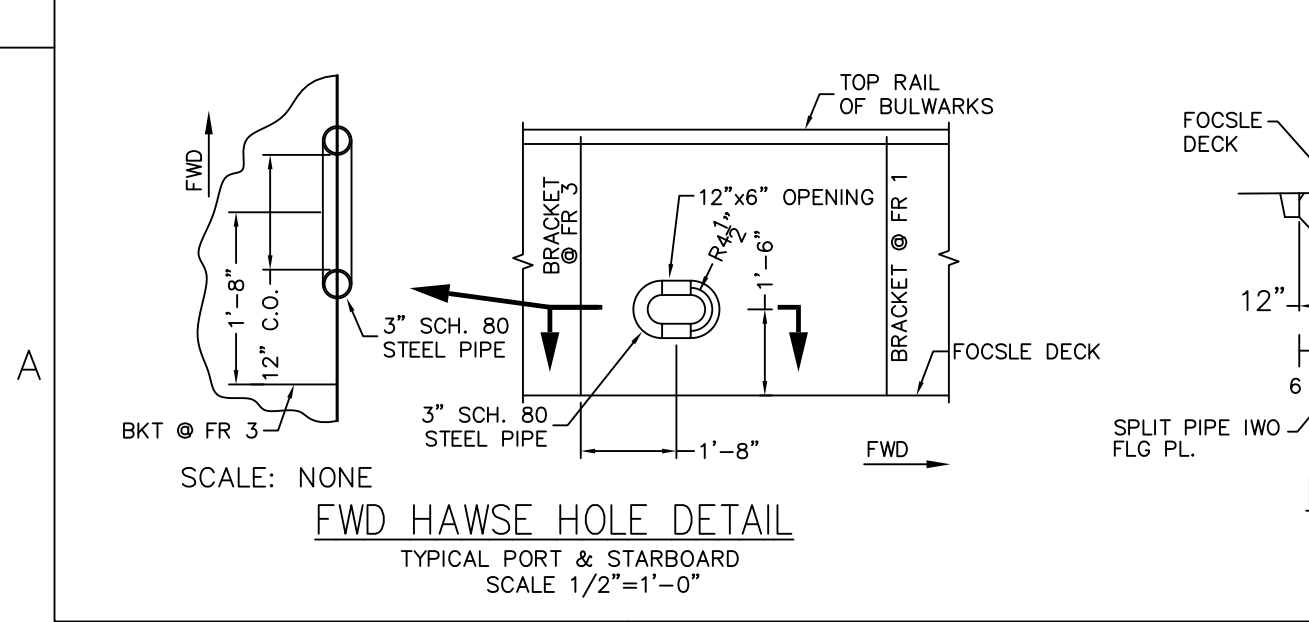
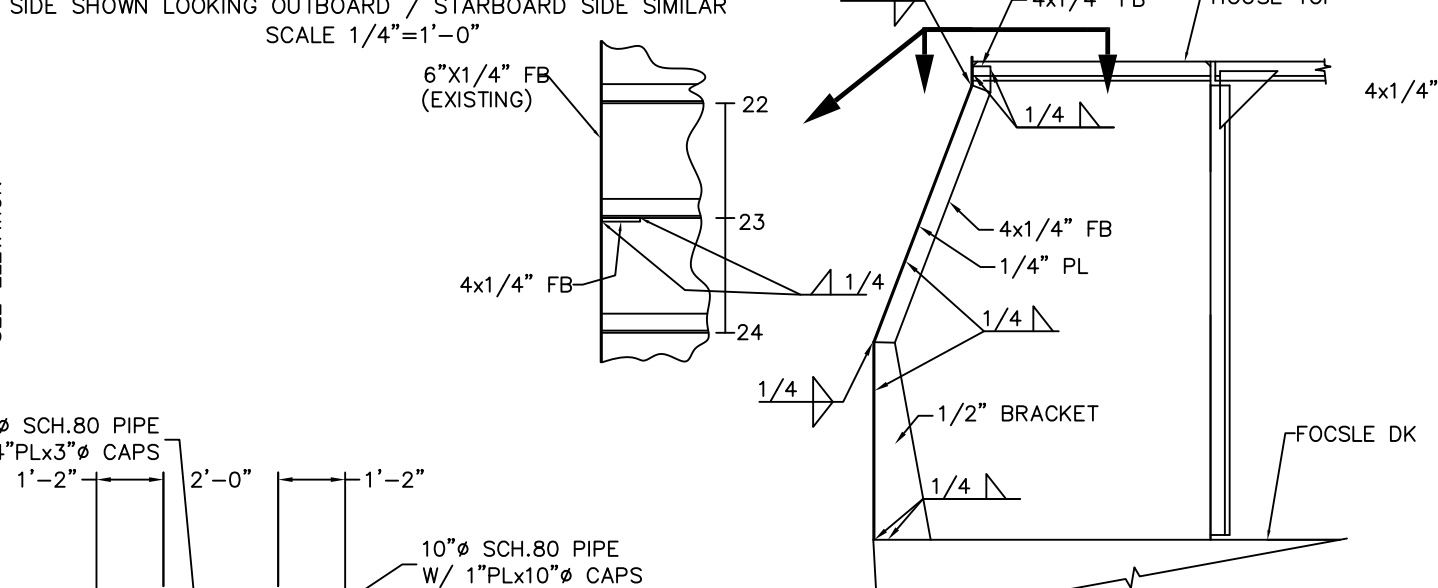
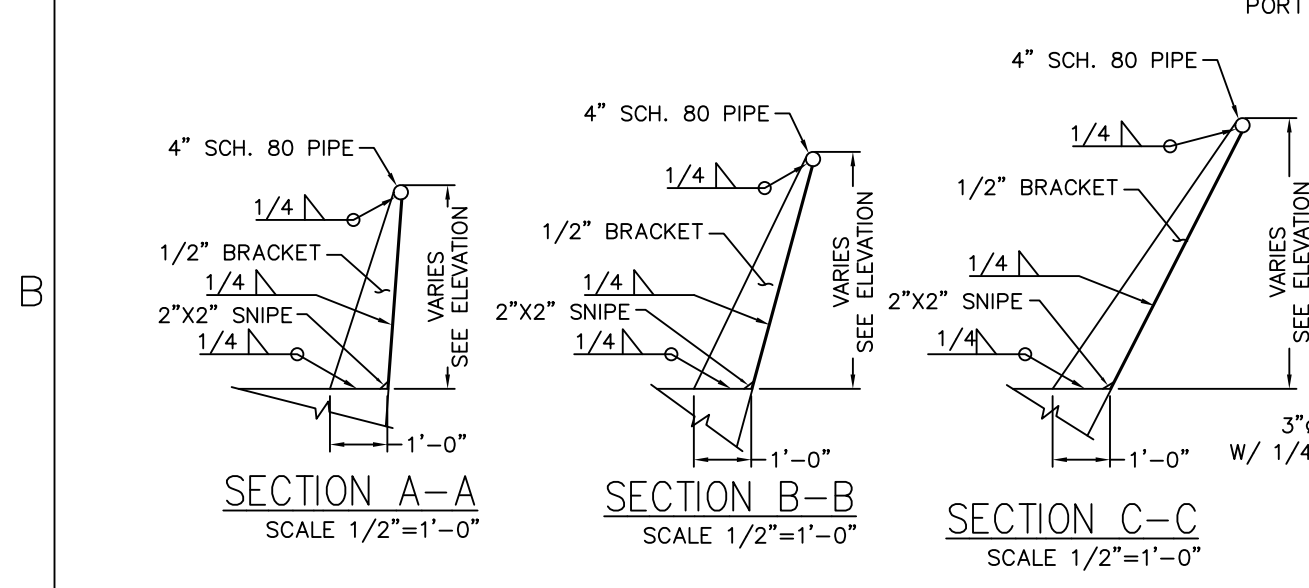
TITLE: 160'-0"X40'-0"X13'-0" RESEARCH VESSEL	
BULWARKS & DECK FITTINGS	
MARINE MANAGEMENT INC.	
MARINE DESIGNERS and SURVEYORS	
P.O. Box: 1803 Ocean Springs, MS 39566-1803	
Ph: 601-872-2846 Fax: 601-872-0606 Online: rpayne@cataync.com	
SHT: 2	OF: 2
ALT NO: 2	



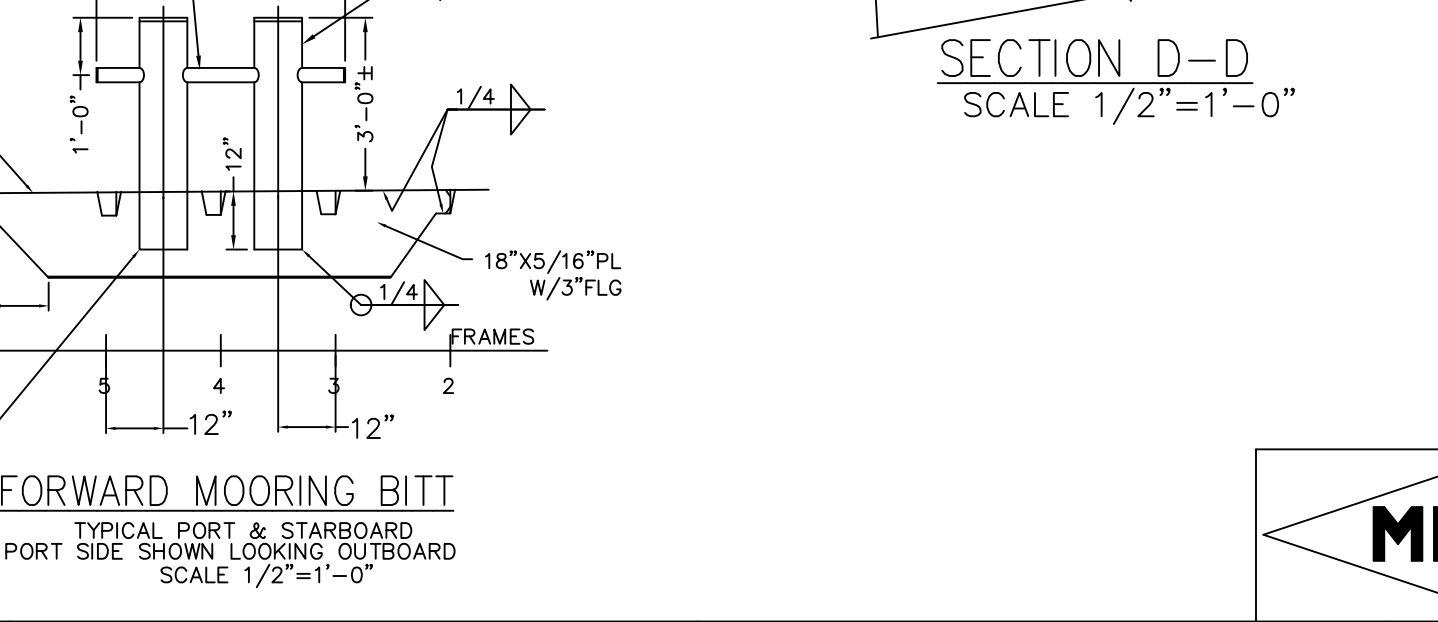
FOCSLE DECK BULWARKS PLAN  
SCALE 1/4"=1'-0"



FOCSLE DECK BULWARKS ELEVATION  
PORT SIDE SHOWN LOOKING OUTBOARD / STARBOARD SIDE SIMILAR  
SCALE 1/4"=1'-0"

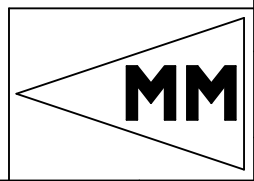


FWD HAWSE HOLE DETAIL  
TYPICAL PORT & STARBOARD  
SCALE 1/2"=1'-0"



FORWARD MOORING BITT  
TYPICAL PORT & STARBOARD  
PORT SIDE SHOWN LOOKING OUTBOARD  
SCALE 1/2"=1'-0"

2	REVISED AFT BULWARKS AND BITT HEIGHTS ADDED TIE DOWN HOLES ON SHEET 2.	3/19/99 RLP
1	ISSUED FOR CONSTRUCTION.	3/13/99 RLP
NO.	ALTERATIONS	BY/DATE
TITLE:	160'-0" x 40'-0" x 13'-0" RESEARCH VESSEL	
<b>BULLWARKS AND DECK FITTINGS</b>		
PREPARED FOR:	CAMERON OFFSHORE BOATS, INC. CAMERON, LOUISIANA	
<b>MARINE MANAGEMENT INC.</b>		
MARINE DESIGNERS AND SURVEYORS		
P.O. Box: 1803	Ocean Springs, MS 39566-1803	SHT: 1
Ph: 601-872-2846	Fax: 601-872-0606	Online: MMinc25@aol.com
DWG. NO:	S-185-S8	ALT NO: 2



S-185-S8 SHT1 REV.2