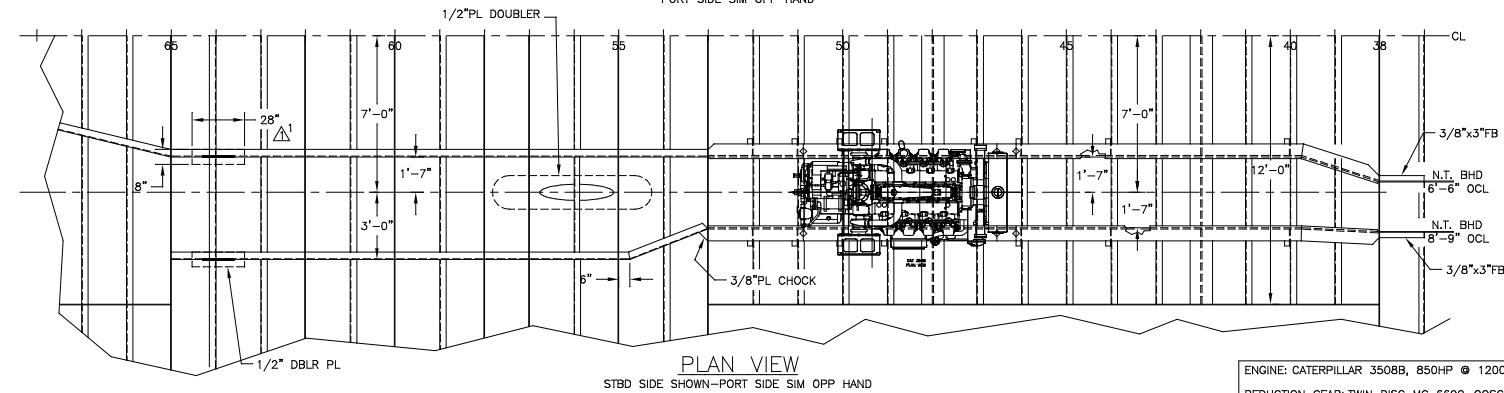
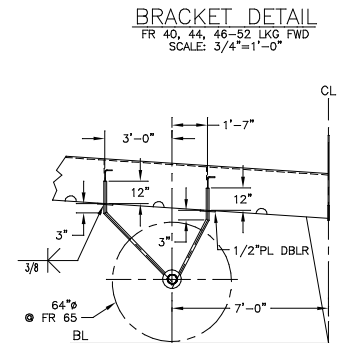
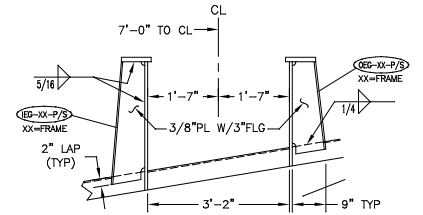
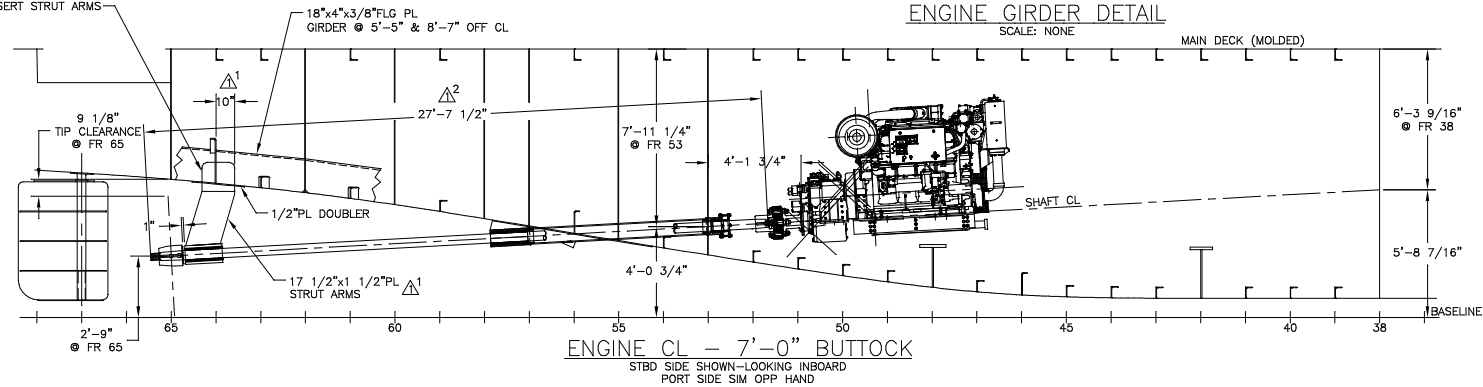


SLOT LONG'L GIRDERS
& TRANSV GIRDER TO
INSERT STRUT ARMS



ENGINE: CATERPILLAR 3508B, 850HP @ 1200 RPM.
REDUCTION GEAR: TWIN DISC MG 6690-OOSC, 3.21/1 RATIO.
BEARINGS: JOHNSON DURAMAX, CODE NAME "FACT"
PROPELLER: 5 BLADE, BRONZE, 64"x57", .75 DAR

REV.	DESCRIPTION	DATE	BY
1	1. REVISED WIDTH OF STRUT ARM & CHANGE PROPELLER PER ABS LETTER DTD 25 JULY 02. 2. CHANGED COUPLING & SHAFT LG.	8-13-02	C.B.

REVISIONS

MASTER BOAT BUILDERS, INC.
P.O. Box 702 Boyou LaBatre, AL 36509

150'-0" x 36'-0" x 12'-0"
OSV

Drawn By: C.B. Approved By: Date: 3/8/01 Scale: 1/8"=1'-0"
Sheet No. 384 Date: 5-27-02

MAIN ENGINE FOUNDATION

Sheet: 1 of 1 Drawing Number: S-9