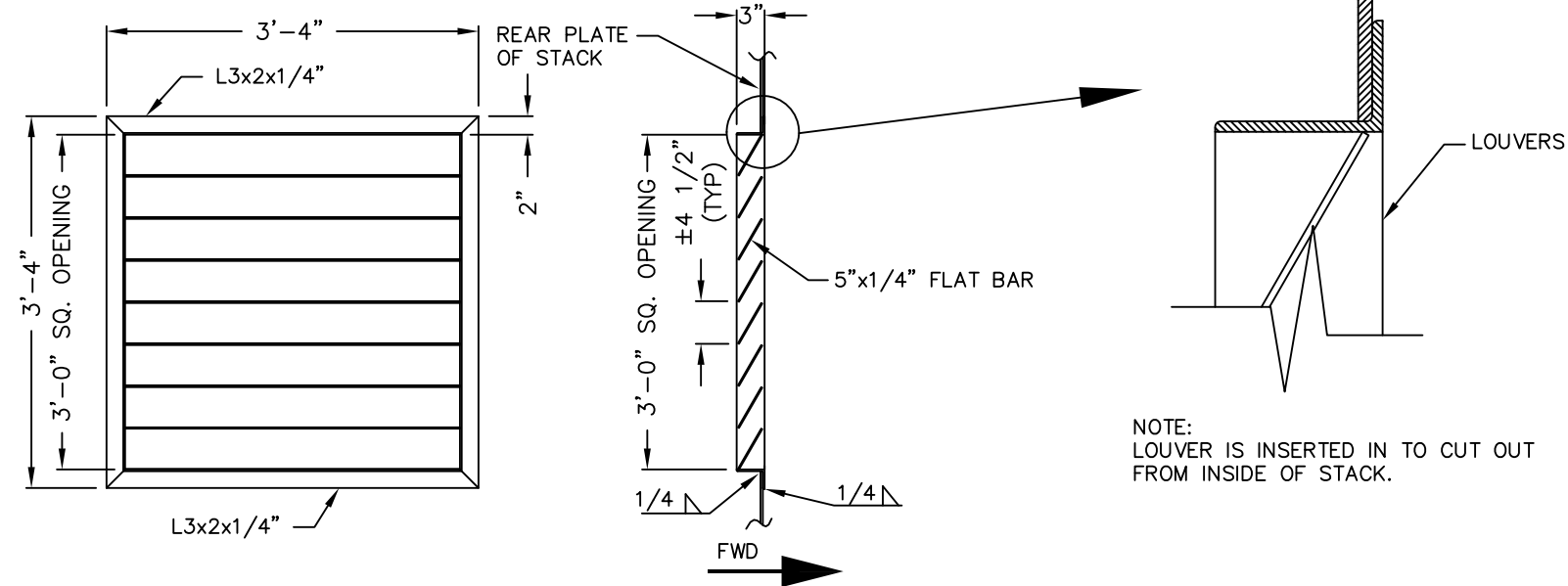
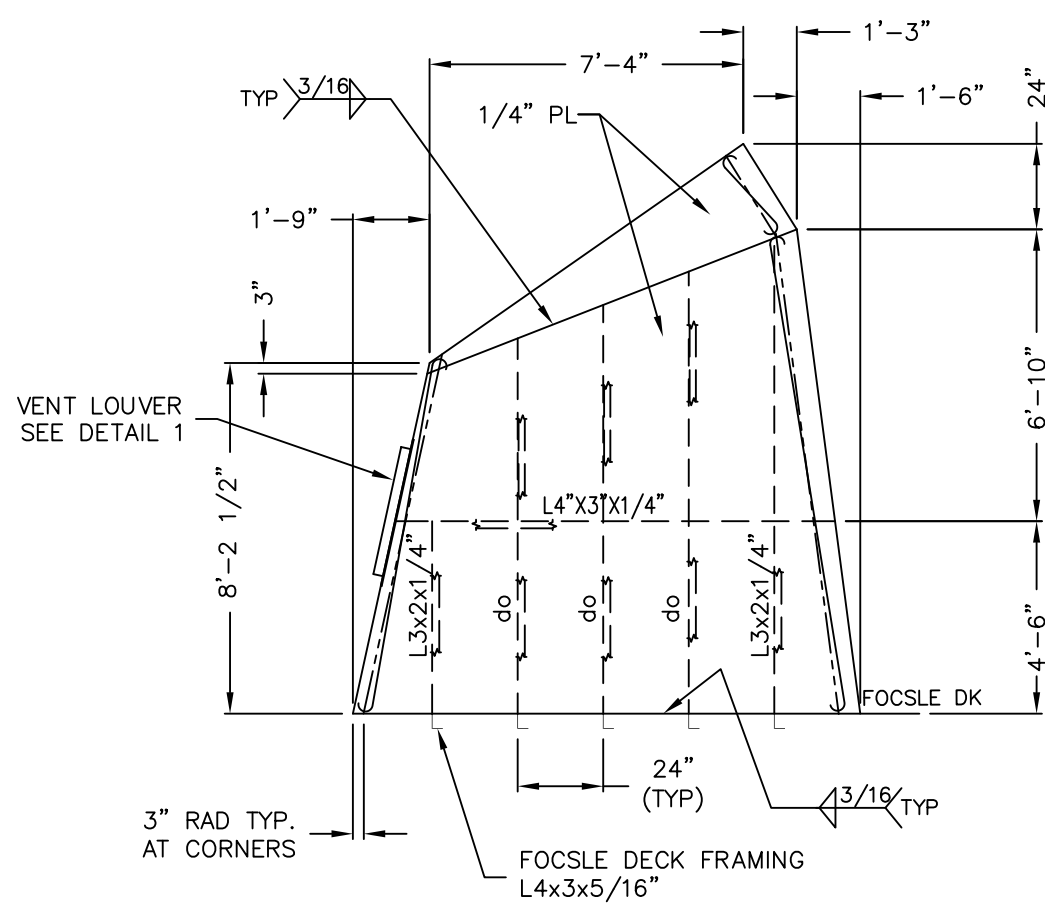


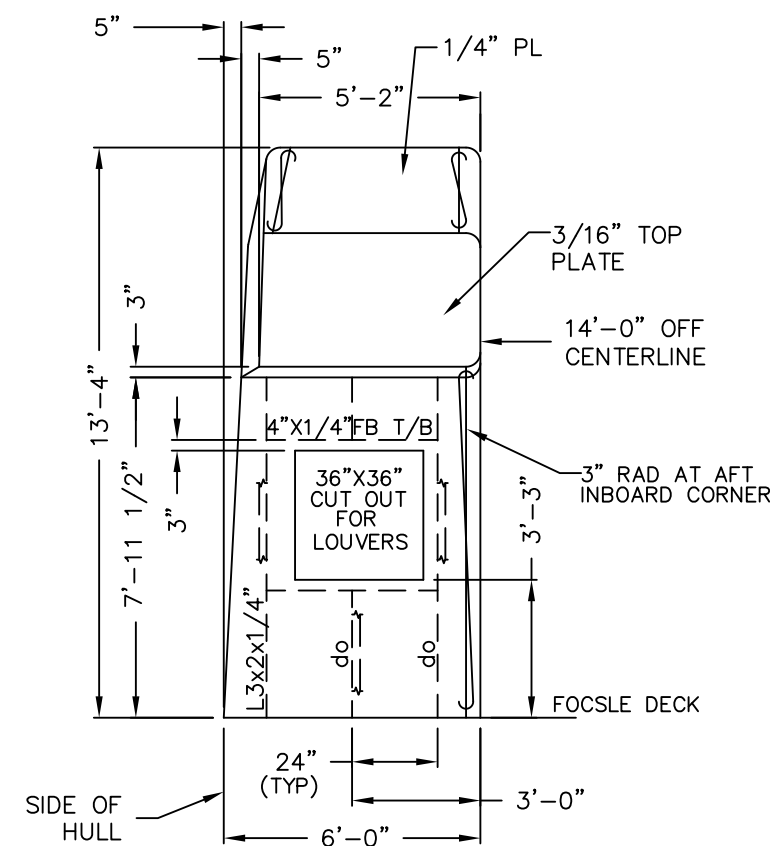
PLAN VIEW - PORT STACK  
SCALE: 3/8"=1'-0"



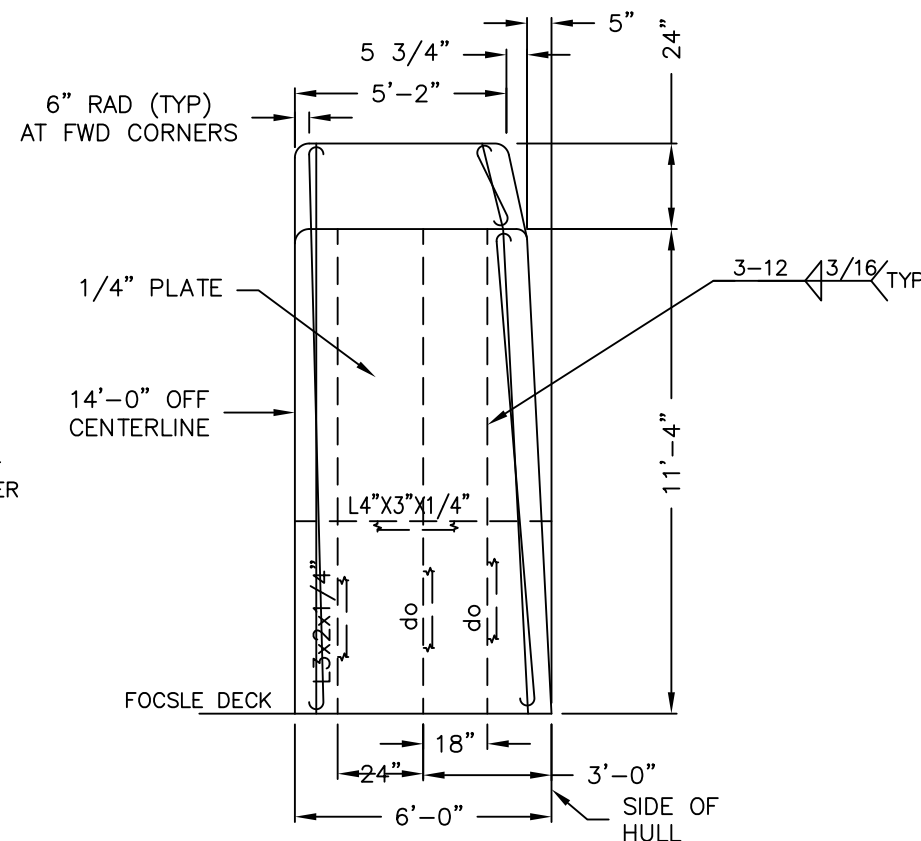
VENT LOUVER DETAIL  
2 - REQUIRED  
SCALE: 1"=1'-0"



SIDE ELEVATION  
SCALE: 3/8"=1'-0"  
INBOARD SIDE OF PORT STACK LOOKING OUTBOARD  
OUTBOARD SIDE SIMILAR

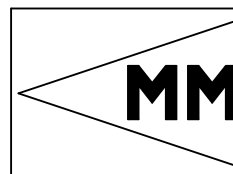


AFT ELEVATION  
SCALE: 3/8"=1'-0"  
PORT STACK SHOWN LOOKING FORWARD



FWD ELEVATION  
SCALE: 3/8"=1'-0"  
PORT STACK SHOWN LOOKING AFT

DRAWN BY:	MGH	DATE:	2/2/99
CHECKED BY:	RLP	DATE:	3/9/99
APPROVED BY:		DATE:	
SCALE:	NOTED	CONTRACT NO.:	S-185-32
<small>This drawing and its contents, specifications and design concept are proprietary information and may not be wholly or partially reproduced, transferred or used for manufacture without written consent from MARINE MANAGEMENT INCORPORATED OR ROBERT L. PAYNE. Copyright 1997</small>			
DWG. NO.:	S-185-S9		



1	ISSUED FOR CONSTRUCTION.	RLP	3/28/99
NO.	ALTERATIONS	BY/DATE	
TITLE: 160'-0" x 40'-0" x 13'-0" RESEARCH VESSEL <b>EXHAUST STACK ARRANGEMENT &amp; DETAILS</b>			
PREPARED FOR: CAMERON OFFSHORE BOATS, INC. CAMERON, LOUISIANA			
<b>MARINE MANAGEMENT INC.</b> MARINE DESIGNERS and SURVEYORS			
P.O. Box: 1803 Ocean Springs, MS 39566-1803 Ph: 601-872-2846 Fax: 601-872-0606 Online: MMinc25@aol.com		SHT:	1
		OF:	1
		ALT NO:	1

S-185-S9 ALT.1  
this line will not plot