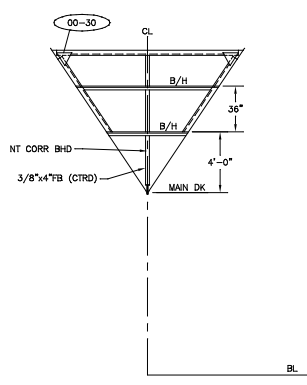
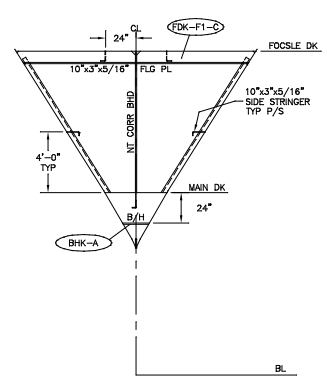


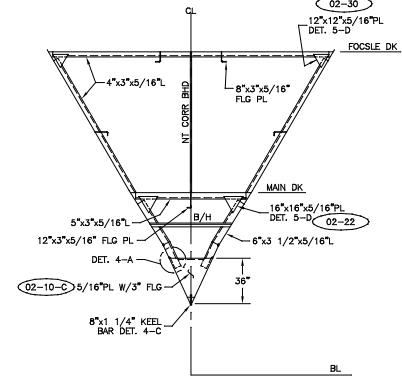
FRAME A



FRAME O
FOR INFO NOT SHOWN SEE FR 2



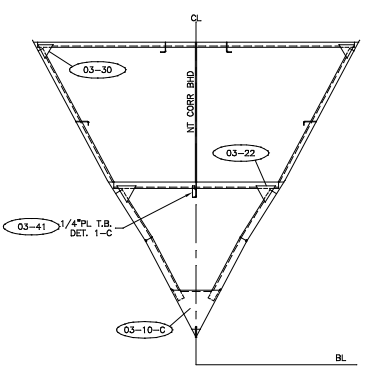
FRAME 1
FOR INFO NOT SHOWN SEE FR 2



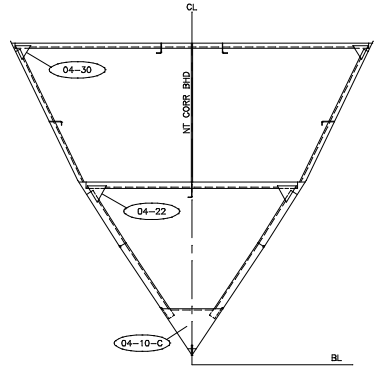
FRAME 2
FOR INFO NOT SHOWN SEE FR 2

GENERAL NOTES

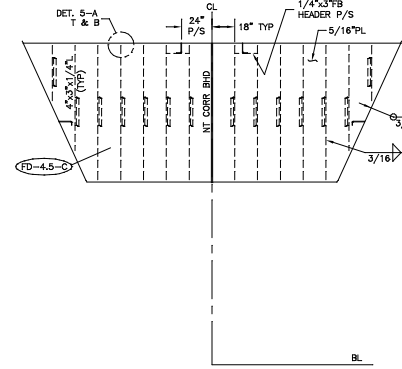
1. ALL FRAMES ARE VIEWED LOOKING AFT.
2. ALL FLANGES OF STIFF. OR GRIDDERS ARE TO BE SNIPED WHEN ENDS CONNECT TO BIDS, DECKS OR SHELL.
3. ALL SNIPES TO BE 1/2" ± 1/2" UNLESS NOTED OTHERWISE.
4. ALL VENT DRAIN HOLES TO BE 3" RADIUS.
5. FOR REFERENCE TO STRUCTURAL DETAILS SEE DRAWING S-10.
6. MAIN DECK DESIGNED FOR 200LBS/FT² LOADING FROM FRAME 24 FWD AND 540LBS/FT² FROM FRAME 24 AFT.
7. UNBRACKETED STIFFENERS OF SHELL WT OR OT BIDS AND HOUSE FRONTS ARE TO HAVE DOUBLE CONTINUOUS WELDS FOR 1/10 OF THEIR LENGTH AT EACH END.
8. UNBRACKETED STIFFENERS OF NONTIGHT STRUCTURAL BHDS, DK HOUSE SIDES AND AFTER ENDS ARE TO HAVE A PAIR OF MATCHED INTERMITTENT WELDS AT EACH END.
9. ALL LIGHTING HOLES ARE CENTERED BETWEEN FRAMES UNLESS NOTED OTHERWISE.



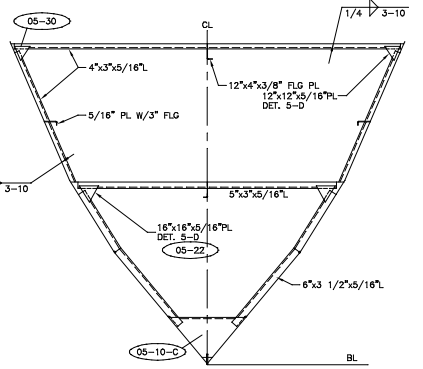
FRAME 3
FOR INFO NOT SHOWN SEE FR 2



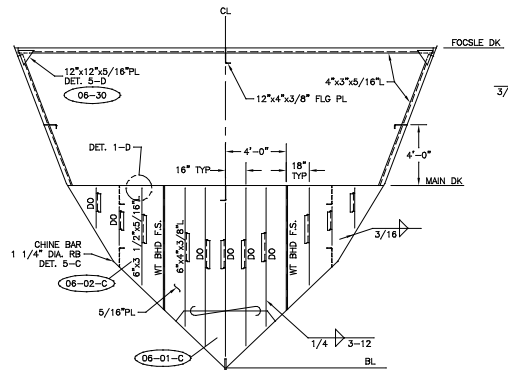
FRAME 4
FOR INFO NOT SHOWN SEE FR 2



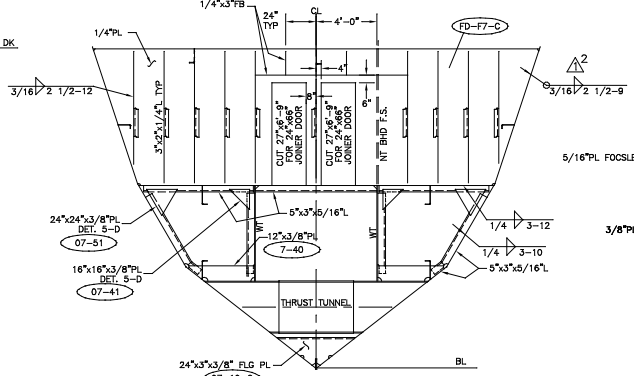
12 AFT FRAME 4
WT COLLISION BHD
FOR INFO NOT SHOWN SEE FR 2



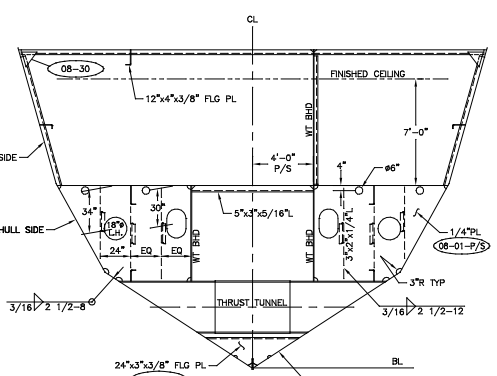
FRAME 5
FOR INFO NOT SHOWN SEE FR 2



FRAME 6
WT BHD BELOW MAIN DECK



FRAME 7



FRAME 8
NT BHD

2	1. CORRECTED LOFTED PIECE MARKS THROUGHOUT.	1-3-03	CB
1	1. ADDED FLANGE PL. AT FRAME 1 & AT 24" OFF CL P/S BETWEEN FR 1 & 4, 1/2.		
	2. CORRECTED WELD OF N.T. BHD FR 7.	9-5-02	CB
	3. ADDED BREAST HOOK 24" BELOW MN DK AT FR 2.		
REVISIONS			
MASTER BOAT BUILDERS, INC.			
P.O. Box 702		Bayou LaBatre, AL 36509	
150'-0" x 36'-0" x 12'-0"			
OSV			
Drawn By: C. BRAUN	Approved By:	Scale: 1/4" = 1'-0"	
Hull No. 354	Date: 5-15-02		
FRAMES A THRU 8			
Sheet: 1 of 1	Drawing Number: S-2		Rev: 2